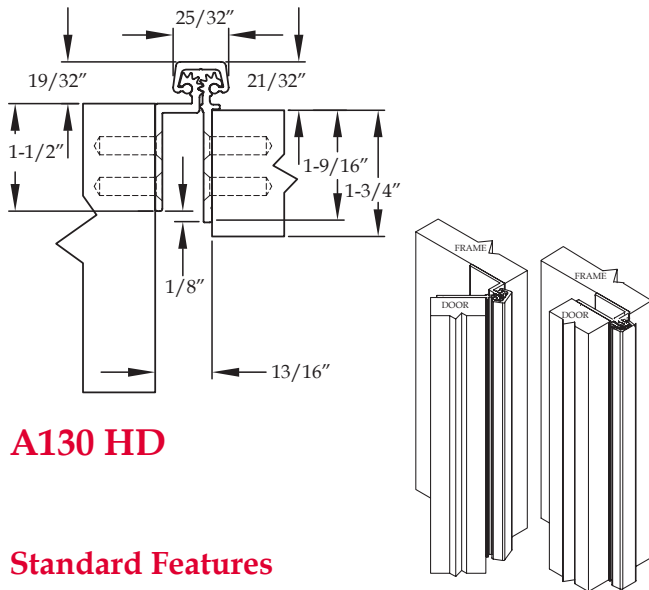


## Full Concealed



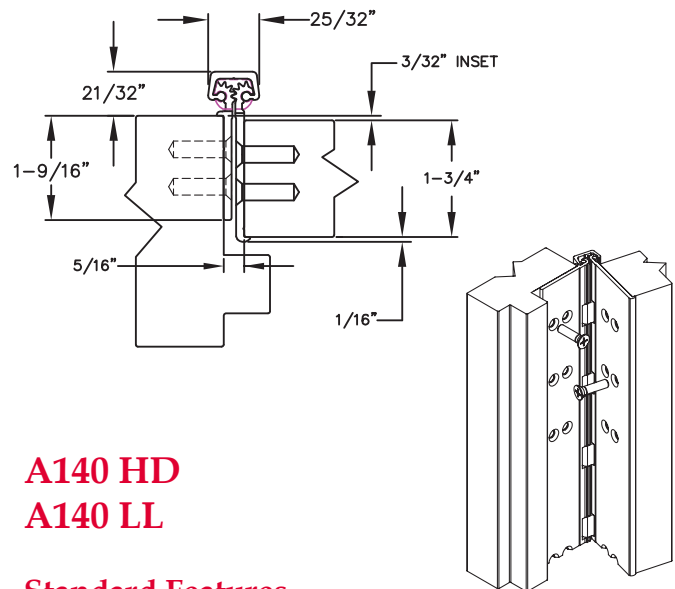
### A130 HD

#### Standard Features

- Full concealed, heavy duty
- $\frac{1}{16}$ " door inset
- Safety hinge application when used without a frame stop
- Used primarily in schools, nursing homes and day care facilities to avoid fingers and/or other objects being closed in the door
- $\frac{1}{16}$ " gap between frame leaf and door leaf when door is closed
- 48" door width maximum
- 450 lbs. door weight maximum
- **Fasteners:** 12-24 x  $\frac{7}{8}$ " undercut self-drilling, thread-forming tek machine screws
- **Standard lengths:** 79", 83", 85", 95" and 120"
- **Finishes:** Clear, dark bronze and black anodized

#### Options Available

- See pages F-7 to F-8 for option availability and details



### A140 HD

### A140 LL

#### Standard Features

- Full concealed, heavy duty
- $\frac{3}{32}$ " door inset
- Door edge protector lip
- For use on 1- $\frac{3}{4}$ " thick door
- 48" door width maximum
- 450 lbs. door weight maximum
- "LL" model for doors up to 1,000 lbs. (lead-lined staggered hole pattern)
- **Fasteners:** 12-24 x  $\frac{7}{8}$ " undercut self-drilling, thread-forming tek machine screws
- **Standard lengths:** 79", 83", 85", 95" and 120"
- **Finishes:** Clear, dark bronze and black anodized
- **Fire Rating**
  - Approved for use on metal swinging type fire doors rated up to and including 90 minutes (Specify "FR" option for 3 hour rating)
  - Approved for use on wood swinging type fire doors rated up to and including 60 minutes (Specify "FR" option for 90 minute rating)

#### Options Available

- See pages F-7 to F-8 for option availability and details

