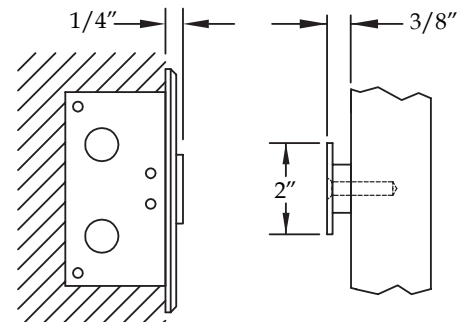
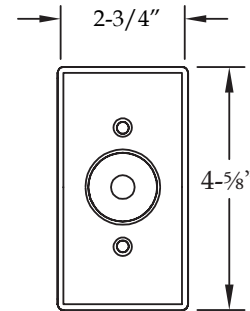


Wall Mount

2400LS - Flush Wall Mount with Flush Mount Armature

Standard Features

- $\frac{5}{8}$ " total projection from wall to face of door
- Tri-voltage units for easy stocking and installation 12V DC, 24V AC/DC or 120V AC
- 35 lb. holding force
- All metal components - **No plastic parts**
- UL/ULC listed for smoke barrier or labeled fire doors
- Listed by the California State Fire Marshall
- Outlet box required (not provided)
- Armature features two pivot points which each have 360° mobility to help door alignment and reduce installation time
- Positive release button alleviates residual magnetism
- Average weight per unit = 2 lbs.



2510 - Heavy Duty Surface Wall Mount

Standard Features

- 4-1/2" total projection from wall to face of door (5-1/2" if using complimentary 1" extension)
- 24V AC/DC magnetic coil
- Optional extension rods fill the gap between the magnet and door armature with **no special adapter piece required (see page D-8)**
- 300 lb. holding force
- All metal components - **No plastic parts**
- UL/ULC listed for smoke barrier or labeled fire doors
- Listed by the California State Fire Marshall
- Armature's pivot point has 360° mobility to help door alignment and reduce installation time
- Positive release button alleviates residual magnetism
- Average weight per unit = 6 lbs.

