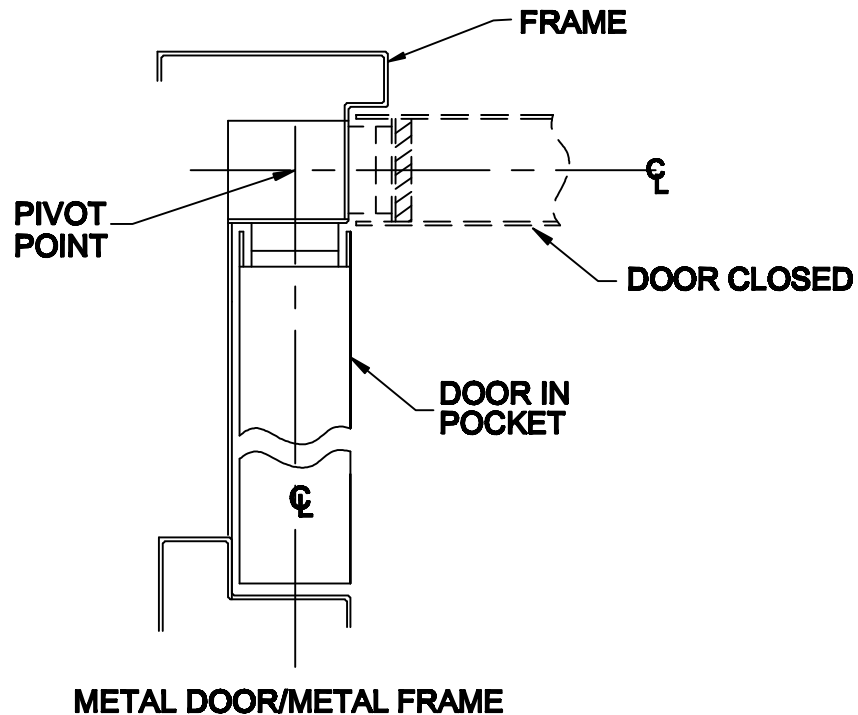


PIVOT DEFINITION POCKET PIVOT



PIVOT POINT IS LOCATED IN THE FRAME

PIVOT ALLOWS A DOOR TO SWING INTO A POCKET AT A RIGHT ANGLE TO THE FRAME

WHEN THE DOOR IS IN THE POCKET IT IS COMPLETELY CLEAR OF THE DOOR OPENING

PIVOTS ARE NON-HANDED, FULL MORTISE INSTALLATION

MAXIMUM DOOR SWING IS 90 DEGREES