

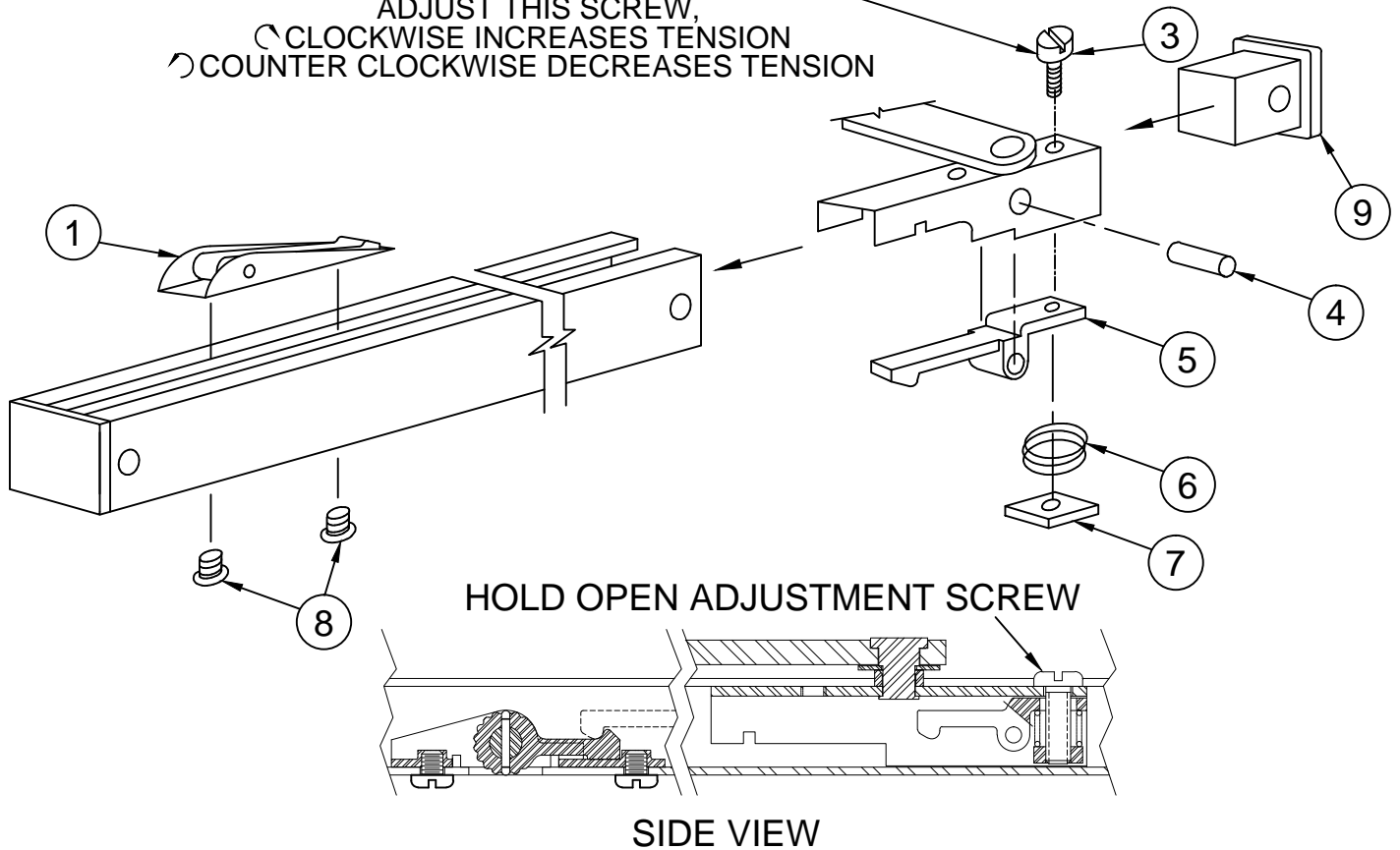
CONVERSION PART LIST FOR MODELS 3300ADJ/4400

ITEM	QTY	DESCRIPTION
1	1	CHANNEL HOLD-OPEN ASSEMBLY
2		N/A
3	1	HOLD-OPEN TENSION SCREW-L.H. THREAD
4	1	3/16 DIA. X .940 LONG PIN
5	1	CAM HOLD-OPEN LEVER
6	1	HOLD-OPEN TENSION SPRING
7	1	HOLD-OPEN TENSION PLATE
8	2	10-32 X 1/4" SCREWS
9	0	END PLUG (NOT SUPPLIED)

3300ADJ/4400 HOLD-OPEN CONVERSION

TO DISASSEMBLE REMOVE END PLUG FROM NON-SPRING END ONLY.
 INSTALLED UNITS MUST BE REMOVED FROM DOOR

TO ADJUST HOLD OPEN FUNCTION
 ADJUST THIS SCREW,
 ↻ CLOCKWISE INCREASES TENSION
 ↺ COUNTER CLOCKWISE DECREASES TENSION



www.abhmfg.com
 E-mail: abhinfo@abhmfg.com
 Architectural Builders Hardware Mfg., Inc.
 1222 Ardmore Ave., Itasca, IL 60143
 630.875.9900; FAX 800.9FAXABH (932.9224)

©2018 ABH Mfg., Inc.
 printed in USA

3300ADJ-4400-CON-02.DWG
3300ADJ/4400
H.O. KIT
 PAGE 1 OF 1
 REVISED 05-30-18