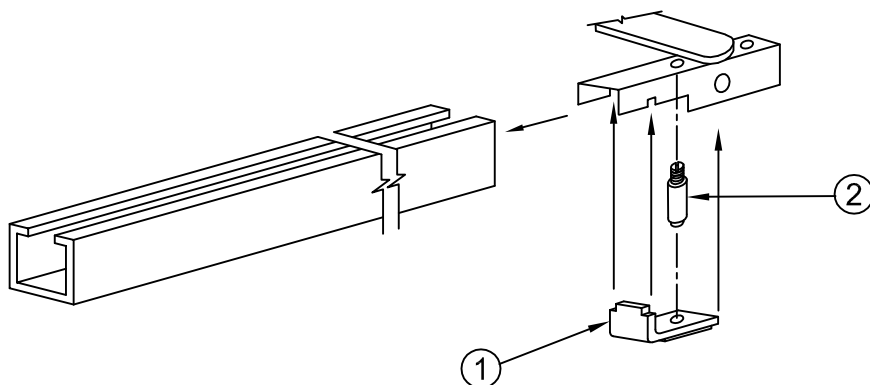


FRICTION CONVERSION PART LIST FOR ALL MODELS

ITEM	QTY	DESCRIPTION
1	1	FRICTION ADJUSTMENT ASSEMBLY
2	1	FRICTION ADJUSTMENT SCREW

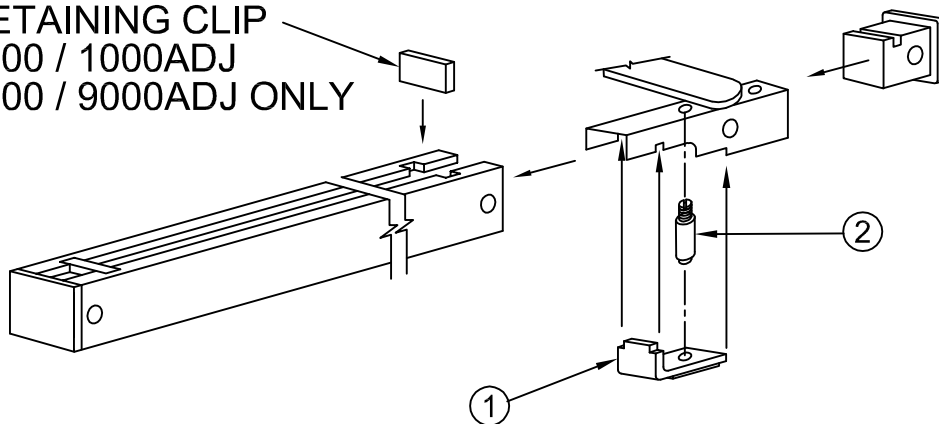
4000 FRICTION CONVERSION DRILL OUT EYELET FROM CHANNEL FROM NON-SPRING END



INSTALLED UNITS MUST BE REMOVED FROM DOOR

1000 / 1000ADJ / 3300ADJ / 4400 / 9000 / 9000ADJ FRICTION CONVERSION TO DISASSEMBLE REMOVE RETAINING CLIP AND END PLUG FROM NON-SPRING END ONLY

RETAINING CLIP
1000 / 1000ADJ
9000 / 9000ADJ ONLY



INSTALLED UNITS MUST BE REMOVED FROM DOOR



© www.abhmfg.com
 E-mail: abhinfo@abhmfg.com
 Architectural Builders Hardware Mfg., Inc.
 1222 Ardmore Ave., Itasca, IL 60143
 630.875.9900; FAX 800.9FAXABH (932.9224)

FRICTION CONVERSION-02.DWG
 1000 / 1000ADJ / 3300ADJ / 4000
 4400 / 9000 / 9000ADJ
FRICTION KIT
 PAGE 1 OF 1
 REVISED 07-13-12

© 2007 ABH Mfg., Inc.
printed in USA