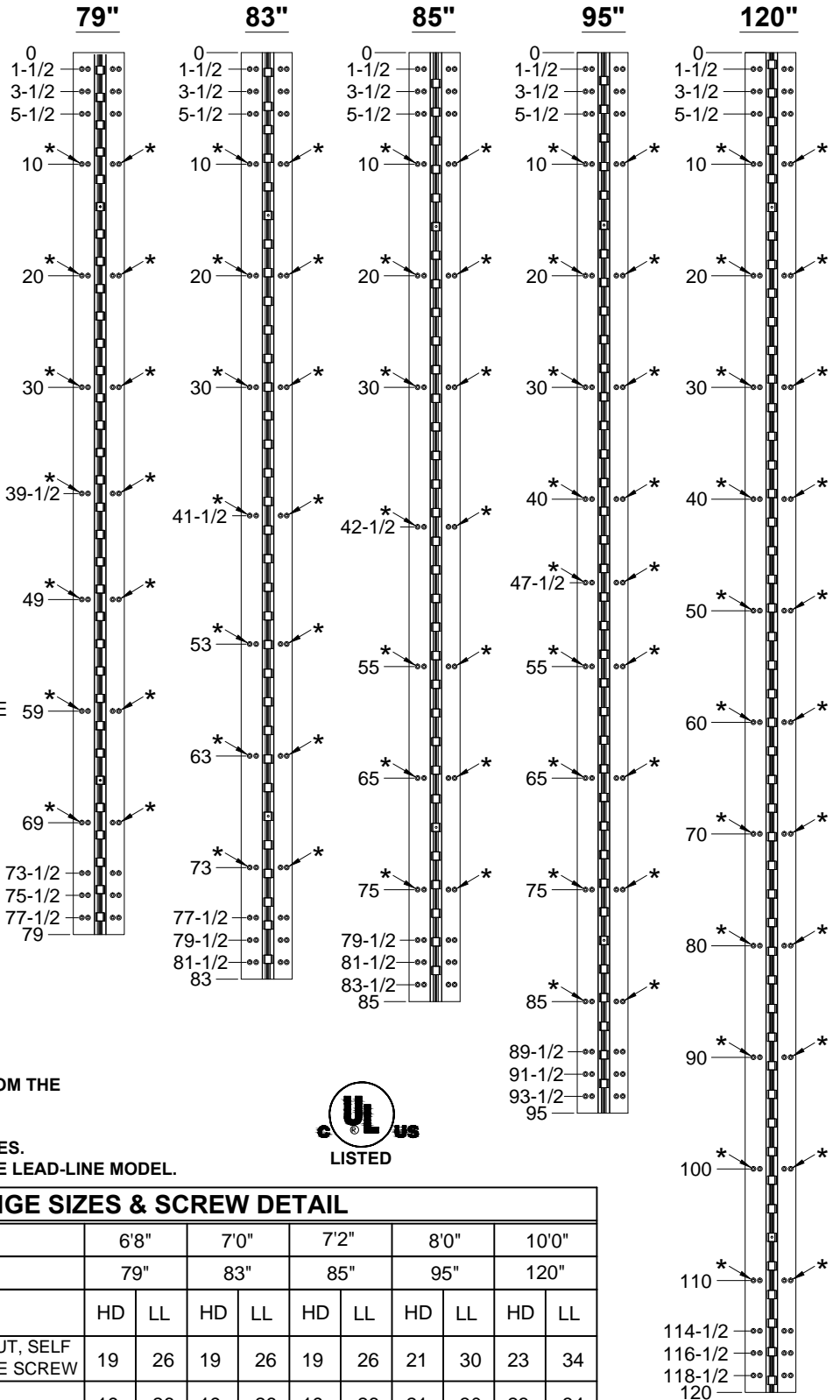
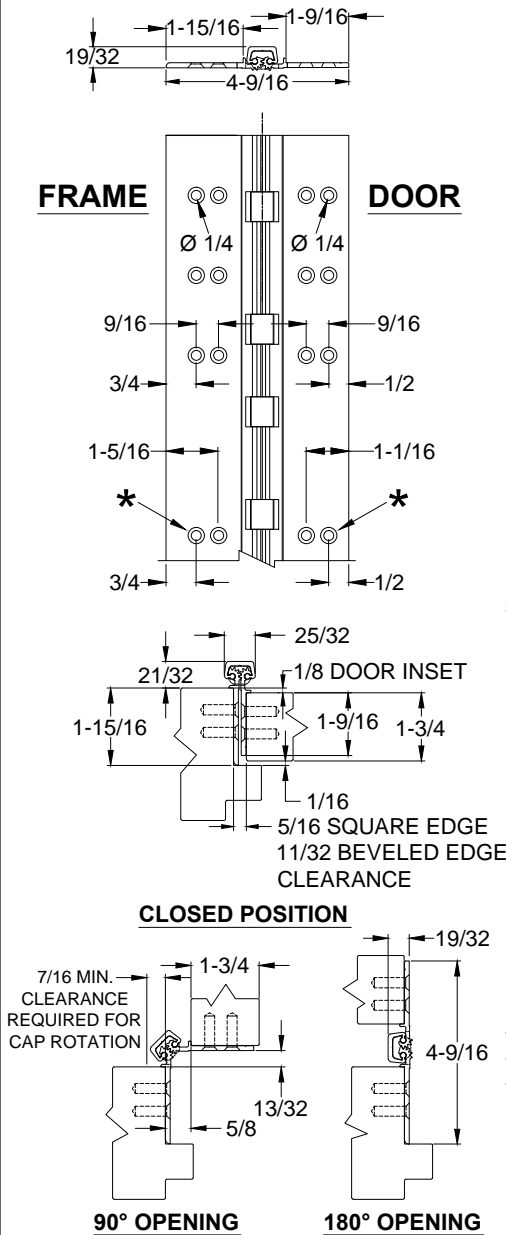


# A111HD / A111LL - ALUMINUM GEARED HINGE, 1/8" INSET, FULL CONCEALED



**NOTES:**

- HINGES CUT TO CUSTOM LENGTH ARE CUT FROM THE BOTTOM. PLEASE SPECIFY HANDING.
- ALL DIMENSIONS ARE IN INCHES.
- ALL DIMENSIONS ARE TO CENTERLINE OF HOLES.
- \* = DENOTES EXTRA MOUNTING HOLE FOR THE LEAD-LINE MODEL.

**STANDARD HINGE SIZES & SCREW DETAIL**

NOMINAL DOOR HEIGHT		6'8"	7'0"	7'2"	8'0"	10'0"					
ACTUAL HINGE LENGTH		79"	83"	85"	95"	120"					
		HD	LL	HD	LL	HD	LL	HD	LL	HD	LL
FRAME	12-24 x 7/8" PHILLIPS FLAT HEAD, UNDERCUT, SELF DRILLING, THREAD FORMING TEK MACHINE SCREW	19	26	19	26	19	26	21	30	23	34
DOOR	12-24 X 7/8" PH. F.H. UNDERCUT SELF DRILLING THREAD FORMING TEK SCREW	19	26	19	26	19	26	21	30	23	34

A111-ALUMINUM GEARED HINGE-02.DWG



www.abhmfg.com  
 E-mail: abhinfo@abhmfg.com  
 Architectural Builders Hardware Mfg., Inc.  
 1222 Ardmore Ave., Itasca, IL 60143  
 630.875.9900; FAX 800.9FAXABH (932.9224)

© 2019 ABH Mfg., Inc.  
 printed in USA

**A111 ALUMINUM GEARED HINGE**

PAGE 1 OF 1  
 ISSUED 08-09-19