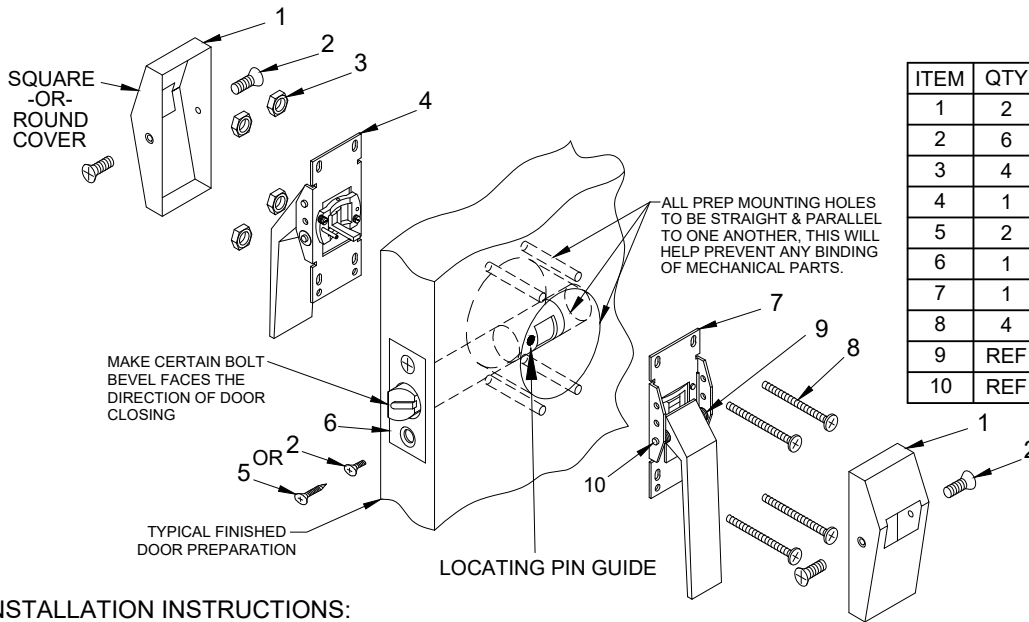


6800 SERIES LOW PROFILE INSTALLATION

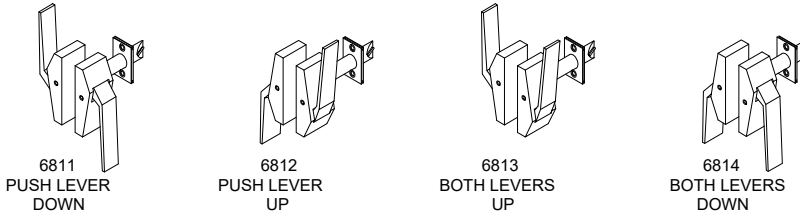


ITEM	QTY	PART DESCRIPTION
1	2	COVER
2	6	8-32 x 3/8" FHMS
3	4	12-24 NUT W/ NYLON WASHER
4	1	PULL SIDE HANDLE ASSEMBLY
5	2	#8 x 3/4" PH. FL. HD. W.S.
6	1	LATCH
7	1	PUSH SIDE HANDLE ASSEMBLY
8	4	12-24 x 2-3/8" PH. TRUSS HD. M.S.
9	REF	HANDLE SPRING
10	REF	PIN & RETAINING WASHER

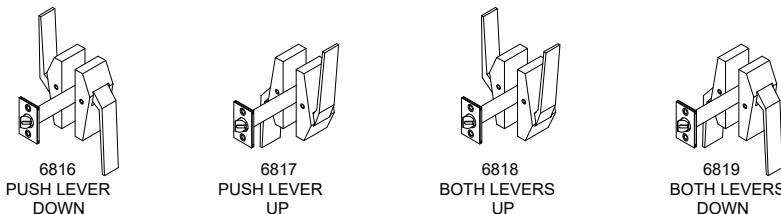
INSTALLATION INSTRUCTIONS:

1. Push/Pull latches are assembled for right hand and left hand doors. Be sure correct side matches door application.
2. Place latch bolt (item 6) unit in door making sure bolt bevel faces direction of door closing. Attach latch with two (2) #8 or 8-32 (item 5 or 2) screws depending on door.
3. Position lever assemblies so that locating pin and cam arm enter into corresponding holes in latch bolt unit. Attach lever assemblies (item 4 & 7) by thru bolting onto door with four (4) #12-24 (item 8) screws and four (4) #12-24 (item 3) kee nuts. For purpose of alignment do not tighten screws until all four (4) screws have been started.
4. Apply covers and fasten with (2) 8-32 screws (item 2) for each cover.
5. Insert dust box in frame mortise and attach strike with two (2) #8 or 8-32 screws.

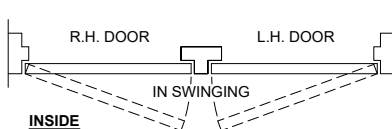
MOUNTING POSITIONS FOR LEFT HANDED DOOR



MOUNTING POSITIONS FOR RIGHT HANDED DOOR

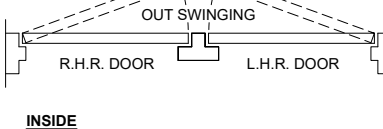


OUTSIDE



INSIDE

OUTSIDE

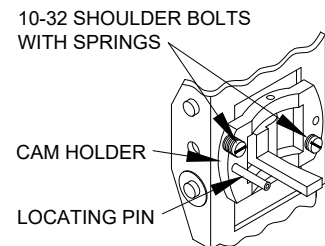


INSIDE

USE L.H. PUSH/PULL LATCHSET FOR R.H.R. DOORS
USE R.H. PUSH/PULL LATCHSET FOR L.H.R. DOORS

TO CHANGE HANDING DIRECTION OF PUSH OR PULL LEVER

Remove the (2) 10-32 shoulder bolt with spring that secure the cam holder assembly, Note the direction of the locating pin before starting. Rotate the cam holder assembly 180°. Reinstall the (2) 10-32 shoulder bolt with springs.



PATENT PENDING



www.abhmfg.com
E-mail: abhinfo@abhmfg.com
Architectural Builders Hardware Mfg., Inc.
1222 Ardmore Ave., Itasca, IL 60143
630.875.9900; FAX 800.9FAXABH (932.9224)

© 2023 ABH Mfg., Inc.
printed in USA

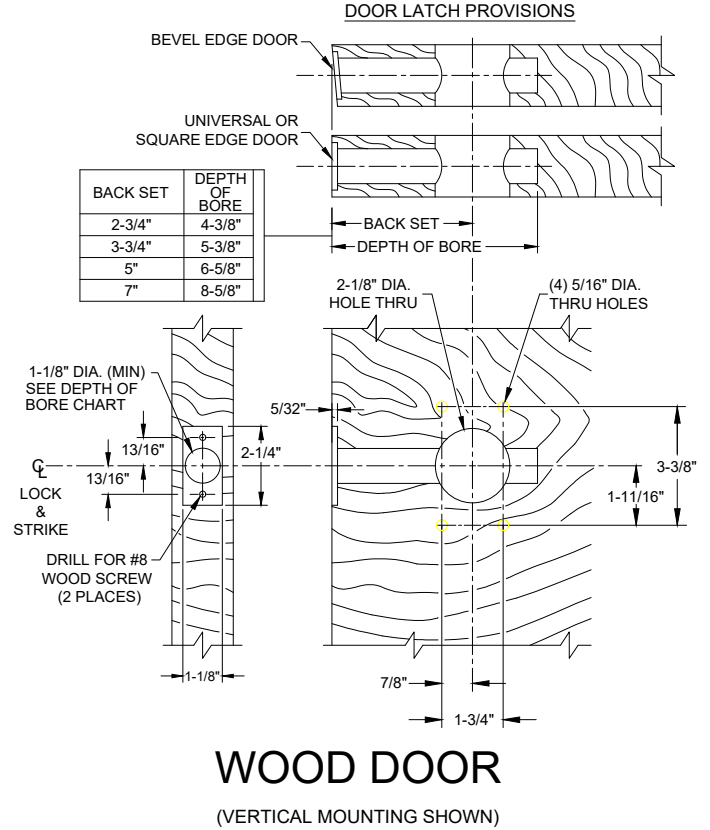
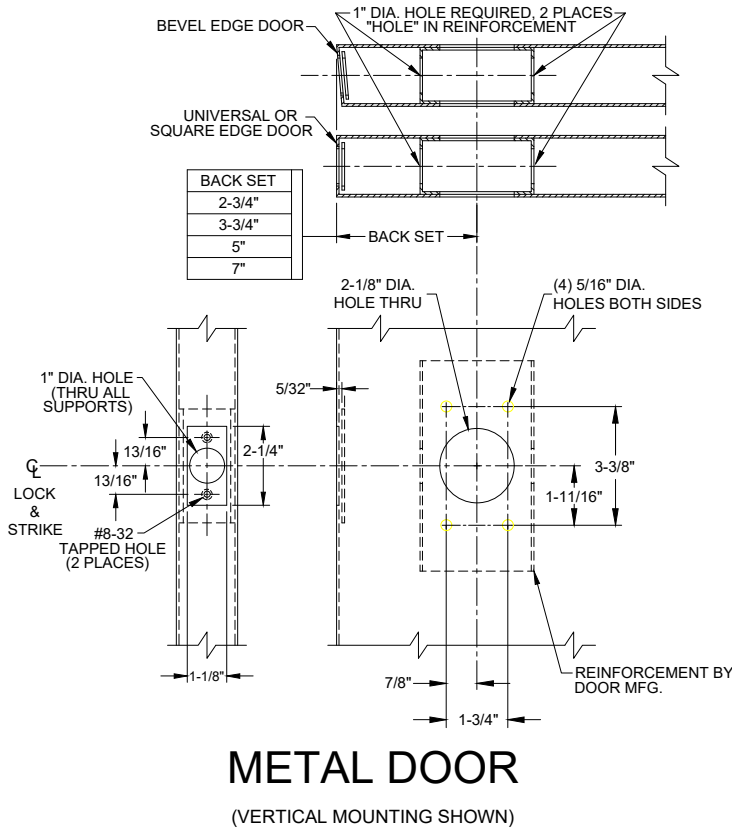
6800-1-11.DWG

6800

PAGE 1 OF 3

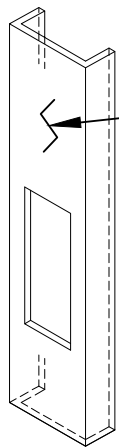
REVISED 02-16-23

6800 SERIES LOW PROFILE - DOOR PREP

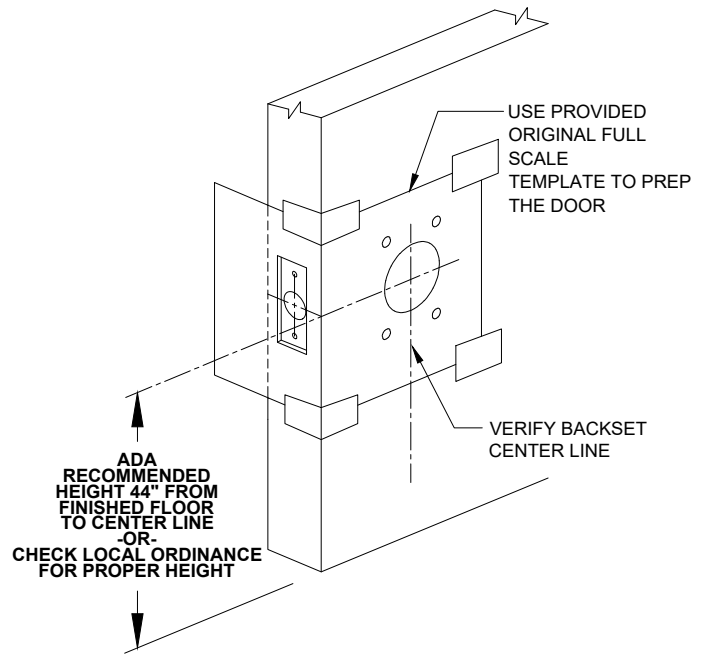


DOOR PREP INFORMATION:

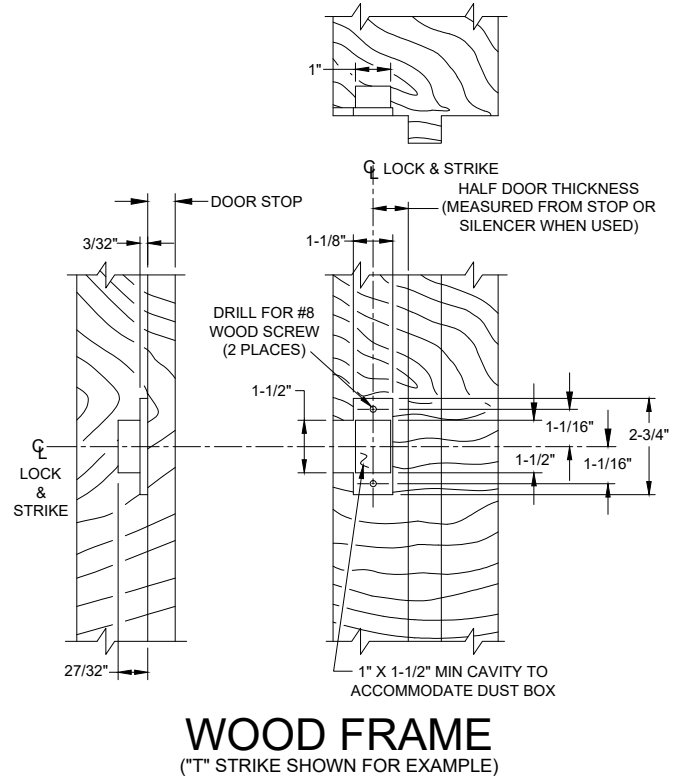
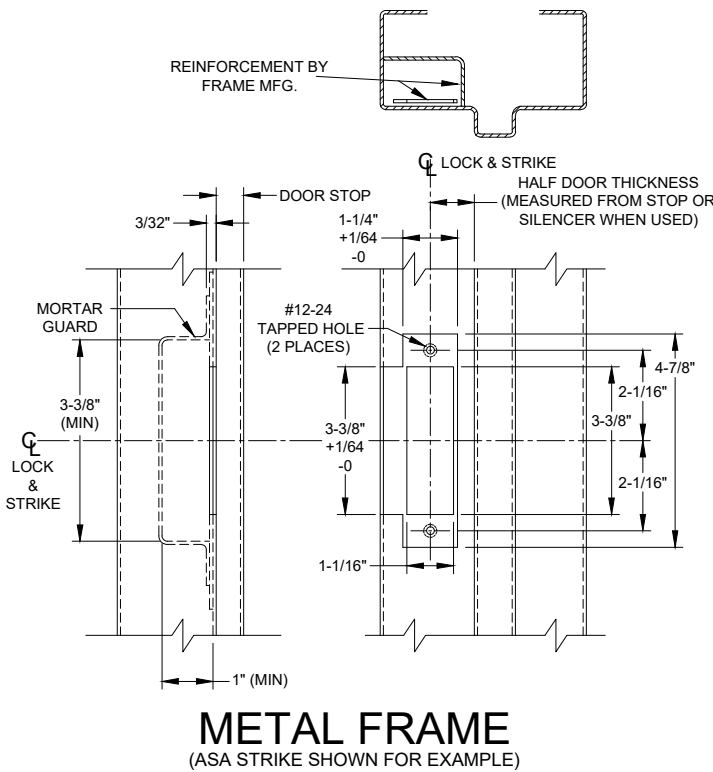
1. BACKSET DIMENSION FROM LOW EDGE OF BEVEL.
2. CENTER PUNCH ALL HOLES.
3. DRILL HOLES (FOR HOLLOW METAL DOORS, DO NOT DRILL THRU. CENTER PUNCH & DRILL HOLES FROM BOTH SIDES OF DOOR).



EDGE GUARD NOTE:
WHEN PREPING THE DOOR FOR THE BACKSET, DETERMINE IF THE DOOR WILL RECEIVE AN EDGE GUARD, IF SO, THE EDGE GUARD SHOULD BE INSTALLED FIRST AND THEN THE PREP FOR THE LATCH BACKSET SHOULD BE MEASURED FROM THE OUTSIDE EDGE OF THE EDGE GUARD.

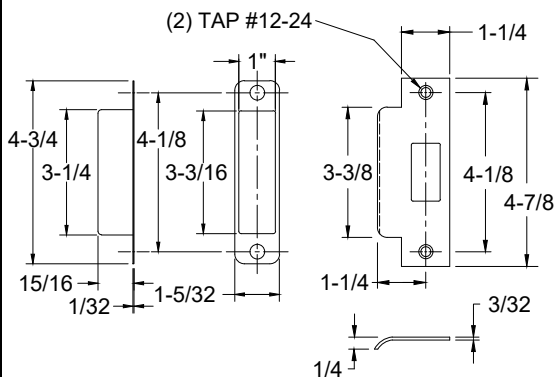
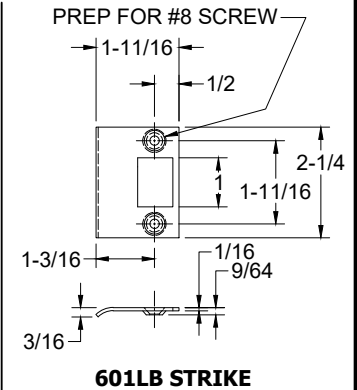
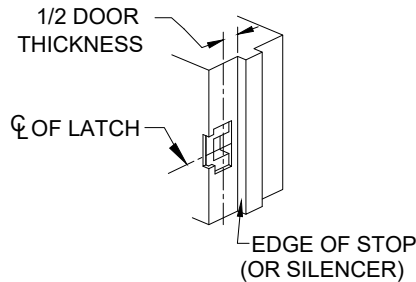


6800 SERIES LOW PROFILE - FRAME PREP

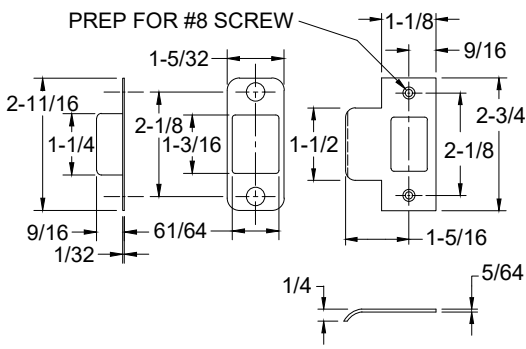


FRAME PREP:

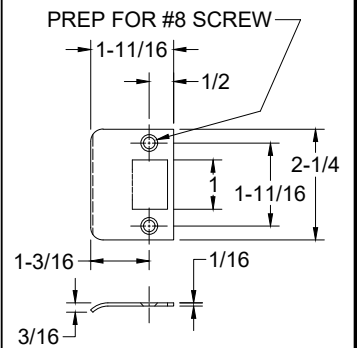
1. Mark centerline of latch bolt on frame.
2. Center strike and mark screw positions.
3. Mortise to required strike and box depth.
4. All dimensions in inches.



ASA STRIKE & DUST BOX



T STRIKE & DUST BOX



D STRIKE



www.abhmfg.com
 E-mail: abhinfo@abhmfg.com
 Architectural Builders Hardware Mfg., Inc.
 1222 Ardmore Ave., Itasca, IL 60143
 630.875.9900; FAX 800.9FAXABH (932.9224)

© 2023 ABH Mfg., Inc.
 printed in USA

6800-3-11.DWG

6800

PAGE 3 OF 3

REVISED 02-16-23