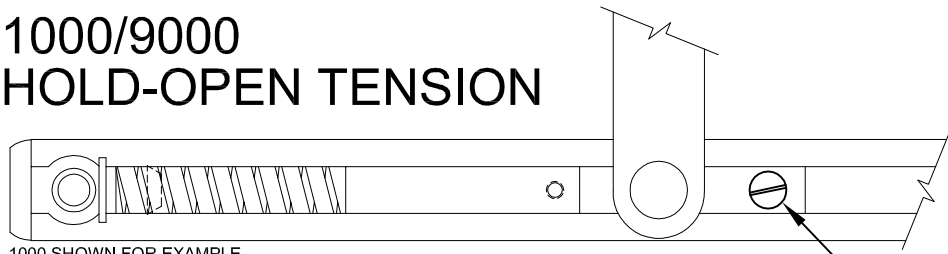
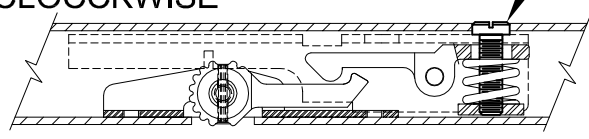


1000/9000 HOLD-OPEN TENSION

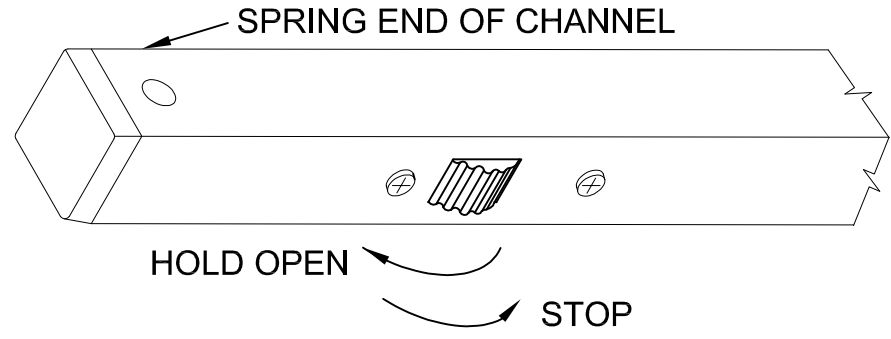


1000 SHOWN FOR EXAMPLE

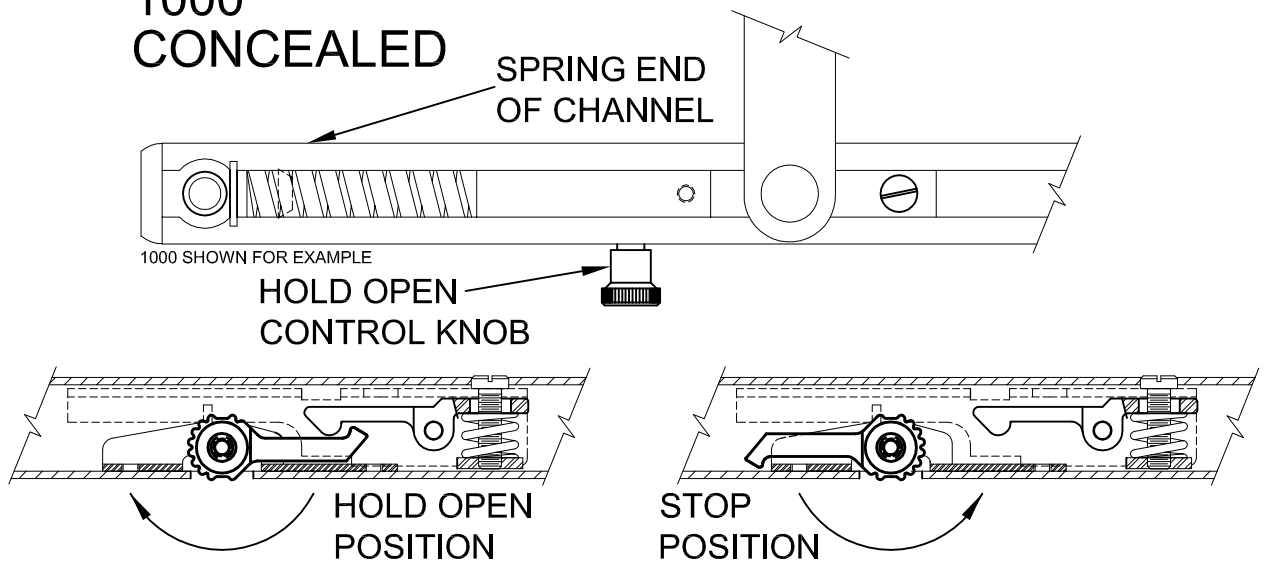
TO INCREASE HOLD-OPEN TENSION TURN
ADJUSTING SCREW CLOCK WISE
TO DECREASE HOLD-OPEN TENSION TURN
COUNTER CLOCCKWISE



9000 SURFACE MOUNT



1000 CONCEALED



www.abhmfg.com
E-mail: abhinfo@abhmfg.com
Architectural Builders Hardware Mfg., Inc.
1222 Ardmore Ave., Itasca, IL 60143
630.875.9900; FAX 800.9FAXABH (932.9224)

© 2006 ABH Mfg., Inc.
printed in USA

1000-9000-ADJUSTMENTS-00.DWG

**1000/9000
ADJUSTMENTS**
PAGE 1 OF 1
REVISED 05-19-06