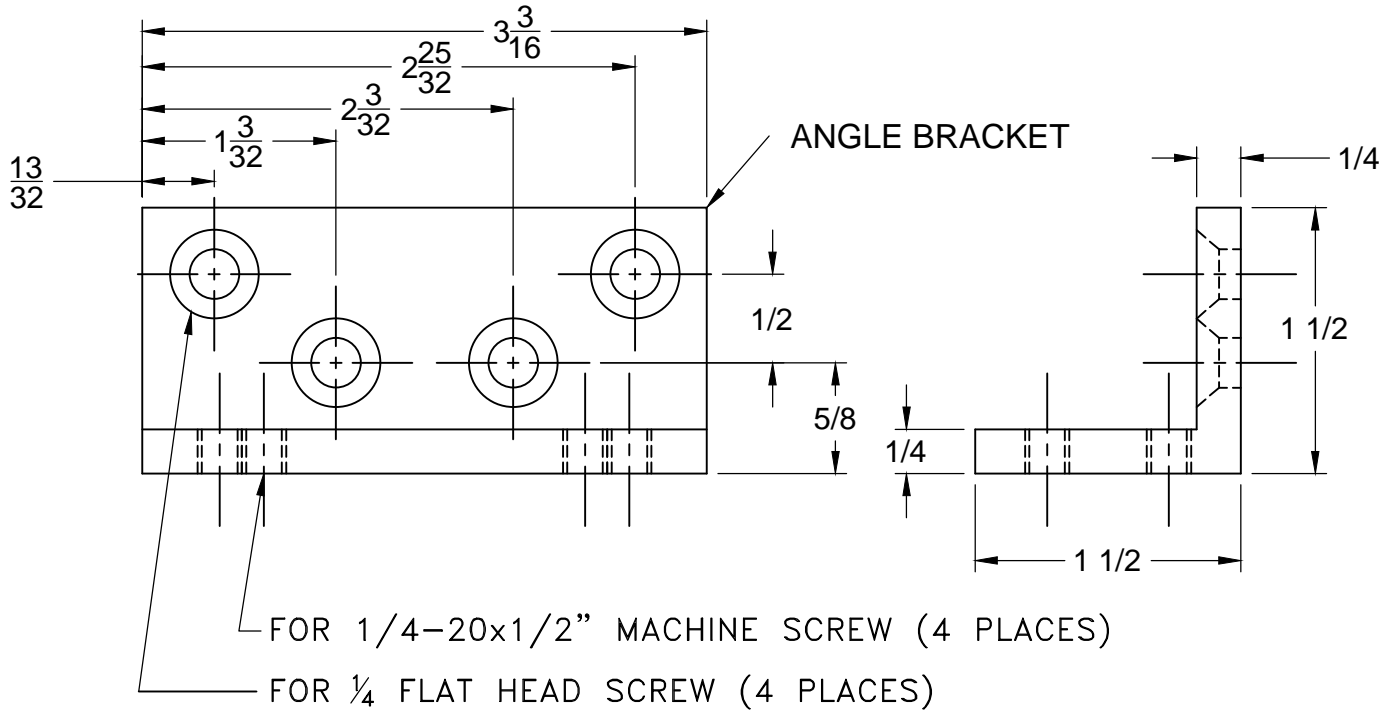


ANGLE BRACKET FOR 7000 SERIES FLUSH MOUNT



THE ANGLE BRACKET IS SECURED TO THE HEADER WITH WOOD OR MACHINE SCREWS. THE JAMB BRACKET FASTENS TO THE ANGLE BRACKET WITH MACHINE SCREWS. THE DOOR BRACKET MOUNTS ON THE DOOR WITH THROUGH SCREWS AND GROMMET NUTS

