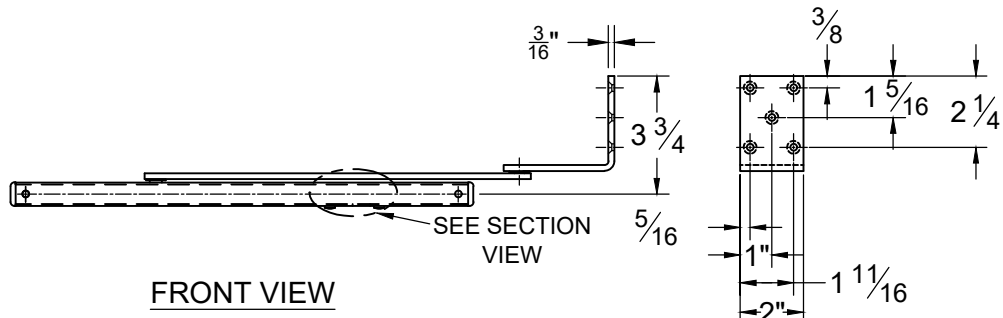
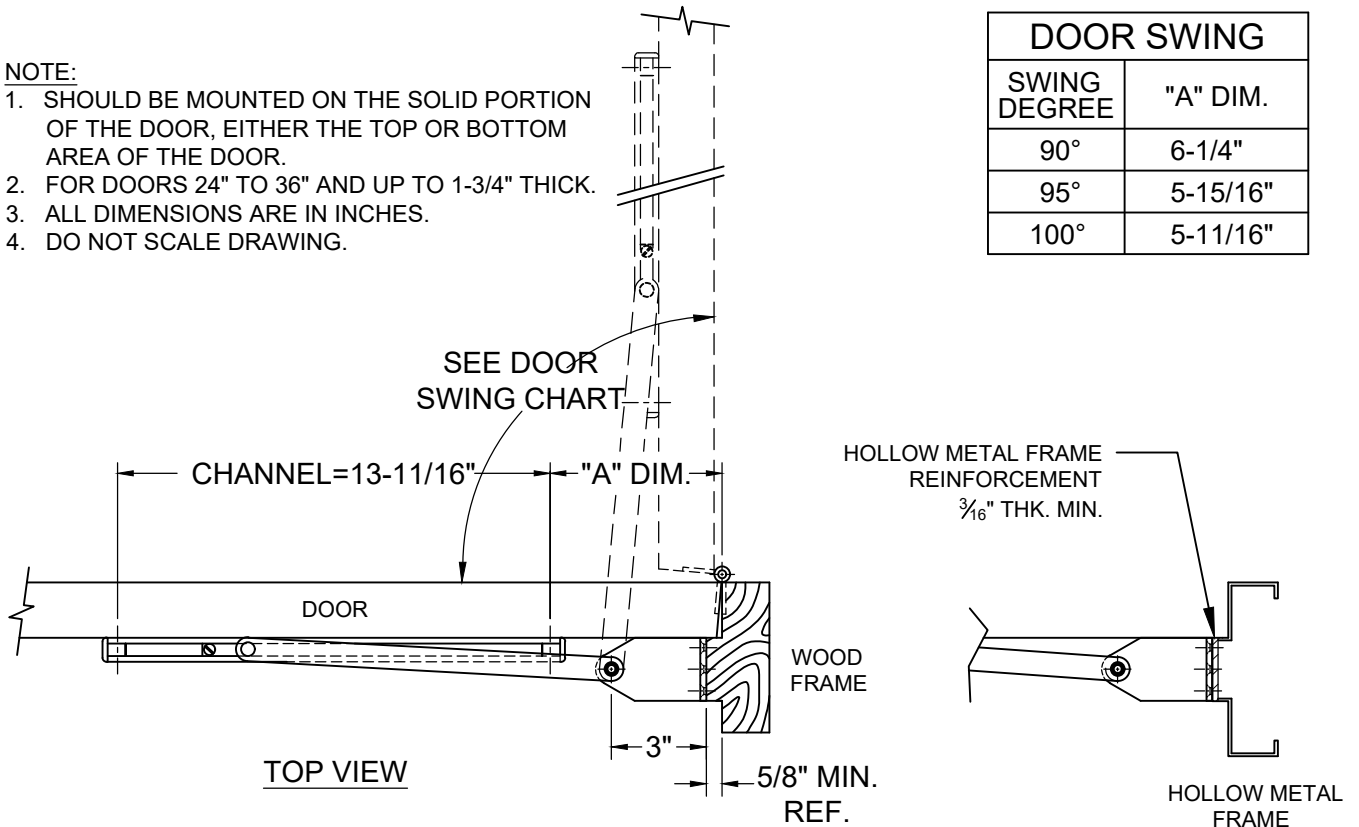


3400 SERIES DRESSING ROOM DOOR HOLDER/STOP NON-HANDED, 90° TO 100° ONLY

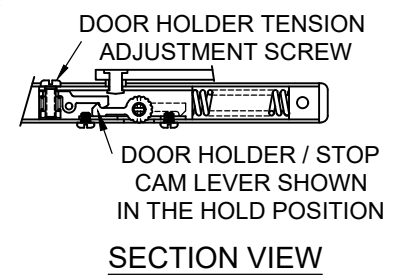
NOTE:

1. SHOULD BE MOUNTED ON THE SOLID PORTION OF THE DOOR, EITHER THE TOP OR BOTTOM AREA OF THE DOOR.
2. FOR DOORS 24" TO 36" AND UP TO 1-3/4" THICK.
3. ALL DIMENSIONS ARE IN INCHES.
4. DO NOT SCALE DRAWING.

DOOR SWING	
SWING DEGREE	"A" DIM.
90°	6-1/4"
95°	5-15/16"
100°	5-11/16"



SCREW DETAIL			
	QTY.	WOOD	METAL
JAMB	5	• #10 X 1-1/2 FLAT HEAD WOOD SCREW	• #10-32 X 1/2 F.H.M.S.
DOOR	2	• #10-32 X 1-1/2 ROUND HEAD MACHINE SCREW • 5/16" DIA. SEX BOLT	



www.abhmfg.com
 E-mail: abhinfo@abhmfg.com
 Architectural Builders Hardware Mfg., Inc.
 1222 Ardmore Ave., Itasca, IL 60143
 630.875.9900; FAX 800.9FAXABH (932.9224)

© 2022 ABH Mfg., Inc.
printed in USA

3400

PAGE 1 OF 1
 REVISED 06-28-22

3400-05.DWG