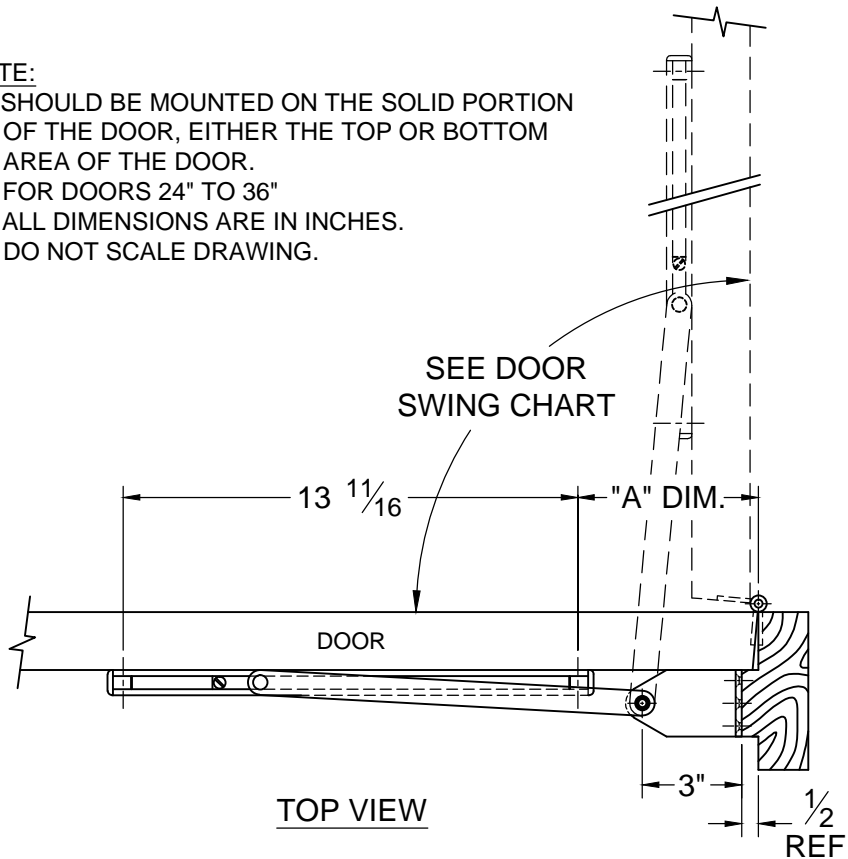


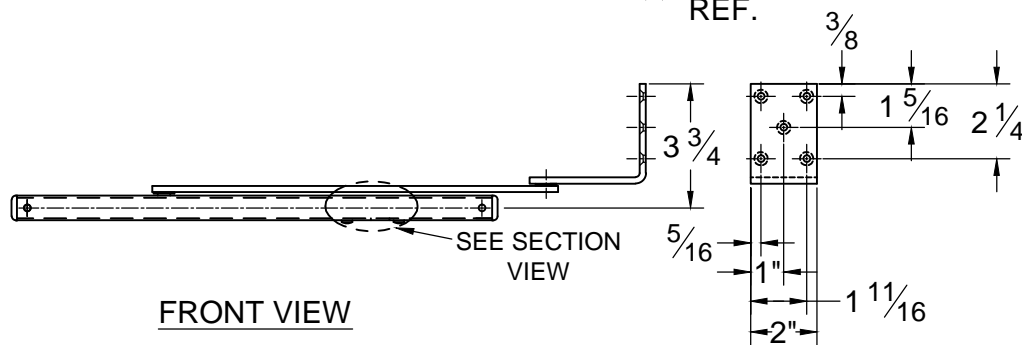
3400 SERIES DRESSING ROOM DOOR HOLDER/STOP NON-HANDED 90° TO 100° ONLY

NOTE:

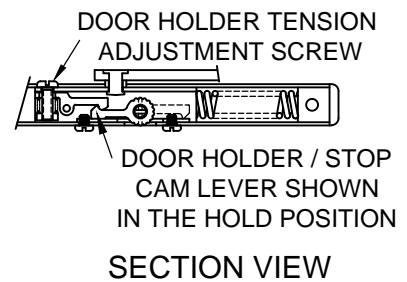
1. SHOULD BE MOUNTED ON THE SOLID PORTION OF THE DOOR, EITHER THE TOP OR BOTTOM AREA OF THE DOOR.
2. FOR DOORS 24" TO 36"
3. ALL DIMENSIONS ARE IN INCHES.
4. DO NOT SCALE DRAWING.



DOOR SWING	
SWING DEGREE	"A" DIM.
90°	5-7/16"
95°	5-3/16"
100°	4-15/16"



SCREW DETAIL			
	QTY.	WOOD	METAL
JAMB	5	#10 X 1-1/2 FLAT HEAD WOOD SCREW	#10-32 X 1/2 F.H.M.S.
DOOR	2	#10-32 X 1-1/2 R.H.M.S. 5/16" DIA. SEX BOLT	#10-32 X 1-1/2 R.H.M.S. 5/16" DIA. SEX BOLT



www.abhmfg.com
 E-mail: abhinfo@abhmfg.com
 Architectural Builders Hardware Mfg., Inc.
 1222 Ardmore Ave., Itasca, IL 60143
 630.875.9900; FAX 800.9FAXABH (932.9224)

©2015 ABH Mfg., Inc.
printed in USA

3400-03.DWG

3400

PAGE 1 OF 1
 REVISED 10-13-15