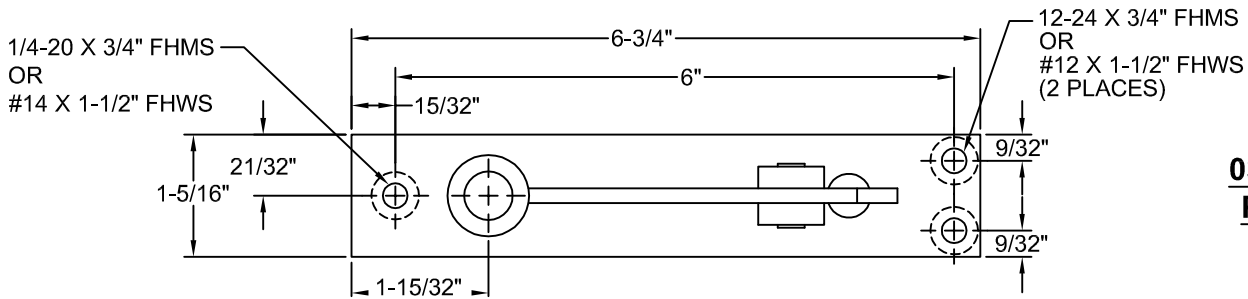
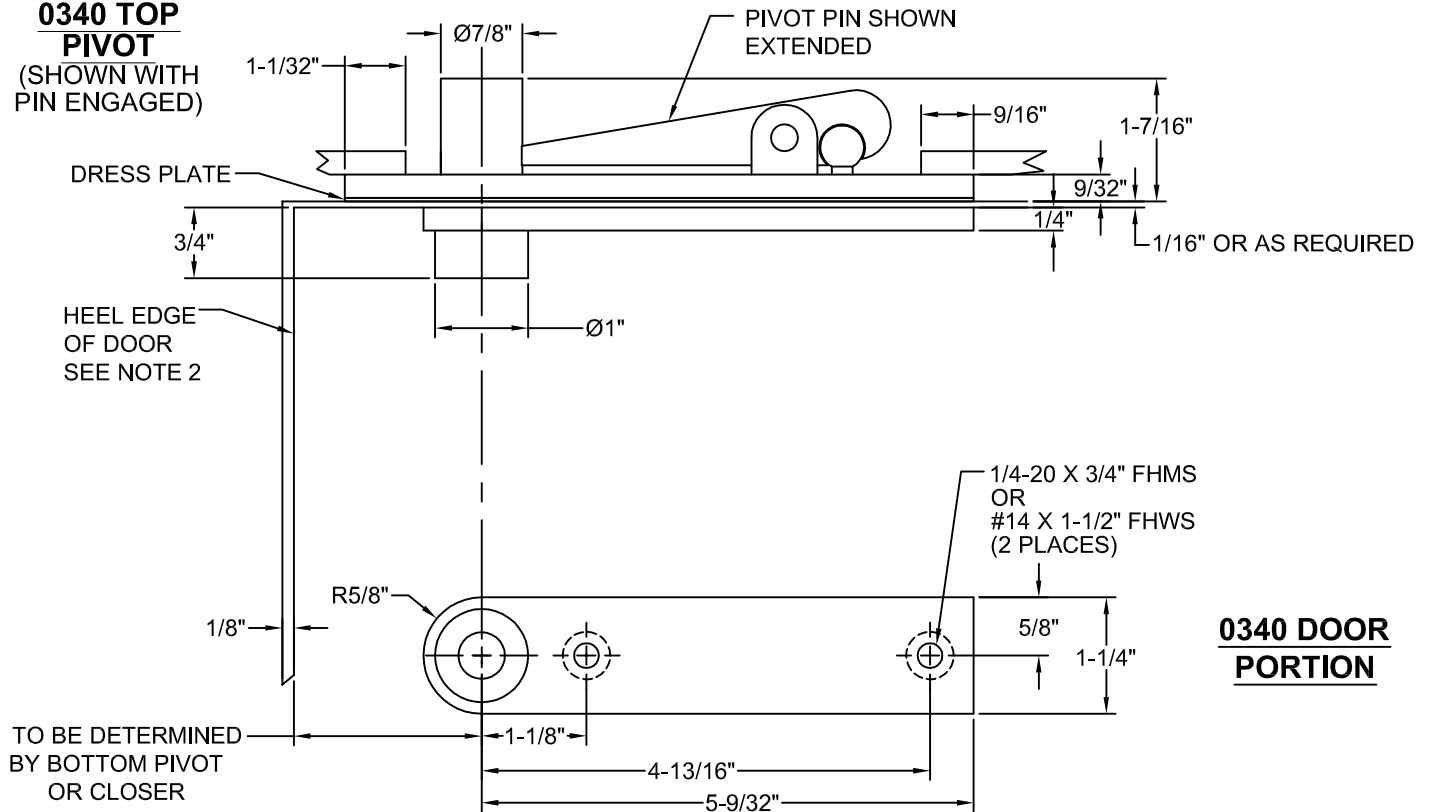


0340 TOP PIVOT, CENTER HUNG, NON-HANDED



0340 JAMB PORTION

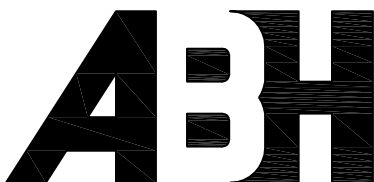
0340 TOP PIVOT (SHOWN WITH PIN ENGAGED)



0340 DOOR PORTION

NOTES:

1. REINFORCING BY OTHERS.
2. RADIUS HEEL EDGE OF DOOR 1-1/4" MAX FOR 1-3/8" - 2-1/2" THICK DOORS
3. IT IS THE DOOR AND FRAME MANUFACTURERS RESPONSIBILITY TO CHECK THE HARDWARE SCHEDULE AND PREP THE DOORS AND FRAMES.
4. CENTERLINE OF TOP PIVOT PIN MUST BE PLUMB AND STRAIGHT WITH BOTTOM PIVOT OR CLOSER SPINDLE.



® www.abhmfg.com

E-mail: abhinfo@abhmfg.com

Architectural Builders Hardware Mfg., Inc.

1222 Ardmore Ave., Itasca, IL 60143

630.875.9900; FAX 800.9FAXABH (932.9224)

© 2015 ABH Mfg., Inc.
printed in USA

0340-03.DWG

0340

PAGE 1 OF 1

REVISED 04-21-15