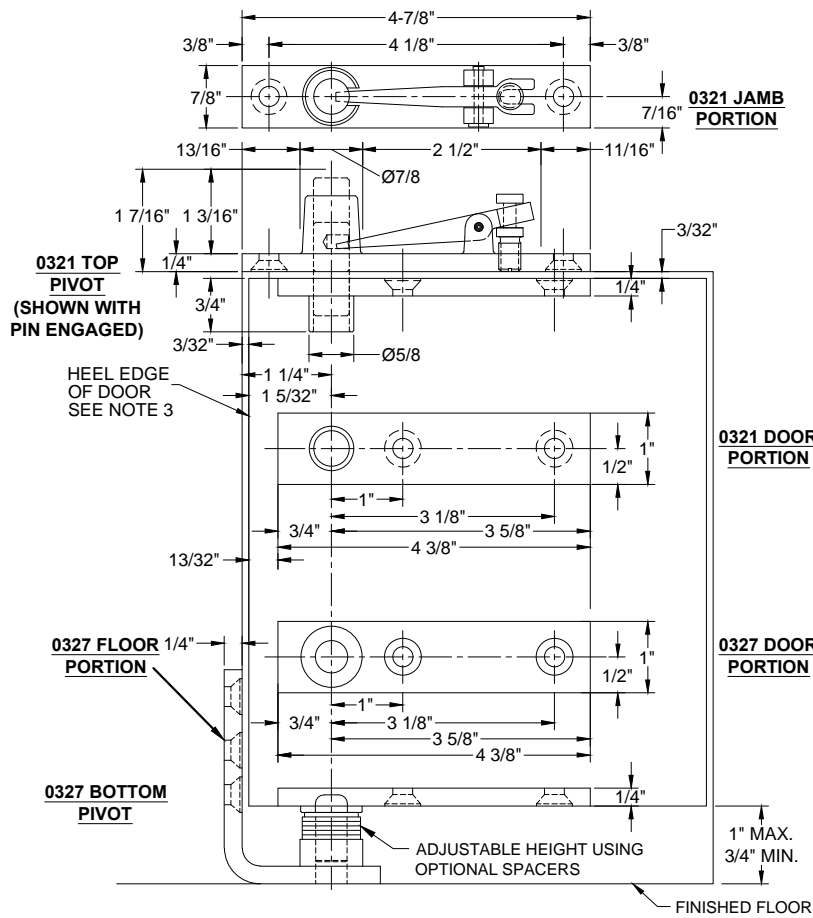
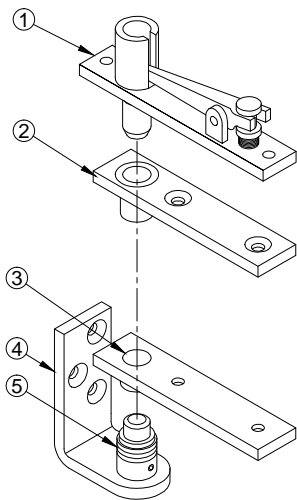
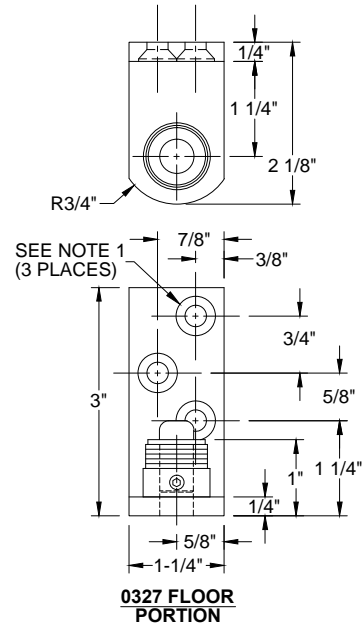


# 0327 PIVOT SET, CENTER HUNG, NON-HANDED



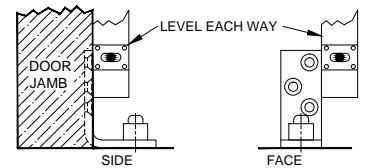
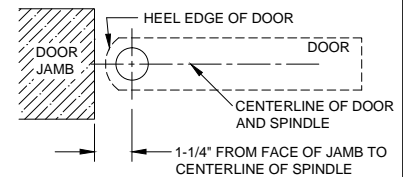
**NOTES:**

1. PIVOTS DRILLED FOR 1/4-20 x 3/4" FHMS OR #14 x 1-1/2" FHWS.
2. REINFORCING BY OTHERS.
3. RADIUS HEEL EDGE OF DOOR 1-5/32" RAD. MAX FOR 1-3/8" TO 1-3/4" THICK DOORS.
4. IT IS THE DOOR AND FRAME MANUFACTURERS RESPONSIBILITY TO CHECK THE HARDWARE SCHEDULE AND PREP THE DOORS AND FRAMES.
5. CENTERLINE OF TOP PIVOT PIN MUST BE PLUMB AND STRAIGHT WITH BOTTOM PIVOT.



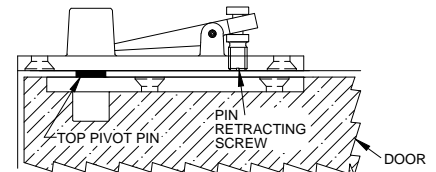
**INSTALLATION INSTRUCTIONS**

1. MEASURE 1-1/4" OUT FROM DOOR JAMB ON CENTERLINE OF DOOR. THIS IS THE LOCATION OF SPINDLE CENTER.
2. ROUND HEEL EDGE AND PREPARE DOOR FOR 3/32" MIN. CLEARANCE THRU ENTIRE OPENING.
3. INSTALL 0327 DOOR PORTION PER TEMPLATE.
4. INSTALL 0327 JAMB PORTION PER TEMPLATE.
5. INSTALL 0321 DOOR PORTION PER TEMPLATE.
6. INSTALL 0321 JAMB PORTION PER TEMPLATE.
7. CENTERLINE OF PIVOT SHOULD ALIGN WITH CENTERLINE OF BOTTOM SPINDLE. USE A PLUMB LINE TO ASSURE ACCURACY.
8. SET INSTALLED 0327 DOOR PORTION ON 0327 FLOOR PORTION SPINDLE.
9. IF REQUIRED, CLEARANCE AT BOTTOM OF DOOR MAY BE ADJUSTED BY ADDING OR REMOVING SPACERS FROM THE 0327 BOTTOM PIVOT.



**DISMOUNT DOOR (IF REQUIRED)**

1. OPEN THE DOOR ENOUGH TO DISENGAGE THE TOP PIVOT.
2. ROTATE THE DOOR TO CLOSED POSITION.
3. WITH THE TOP OF THE DOOR LEANING TOWARD YOU, LIFT THE DOOR CLEAR OF THE SPINDLE.



ITEM NO.	QTY.	PART NO.
1	1	0321 JAMB PORTION
2	1	0321 DOOR PORTION
3	1	0327 DOOR PORTION
4	1	0327 FLOOR PORTION
5	4	0327 SPACERS (AS NEEDED)



www.abhmfg.com  
 E-mail: abhinfo@abhmfg.com  
 Architectural Builders Hardware Mfg., Inc.  
 1222 Ardmore Ave., Itasca, IL 60143  
 630.875.9900; FAX 800.9FAXABH (932.9224)

©2017 ABH Mfg., Inc.  
 printed in USA