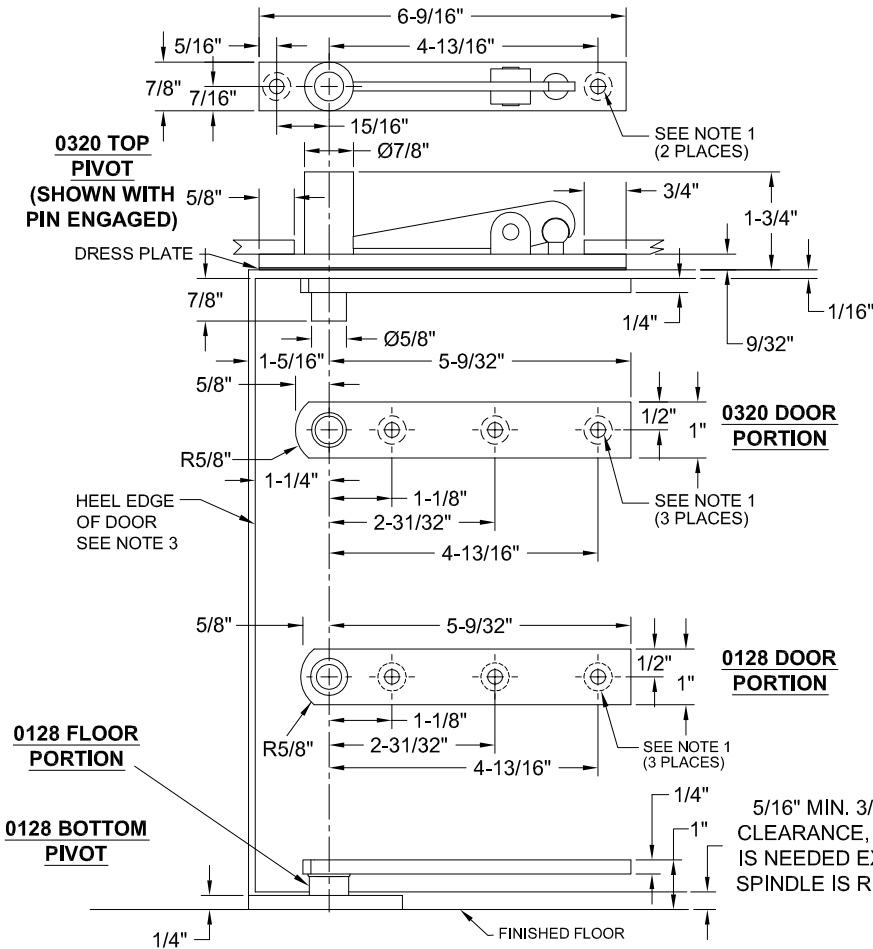
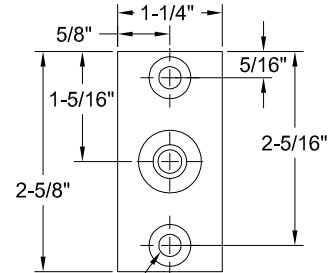


# 0128 PIVOT SET, CENTER HUNG, NON-HANDED

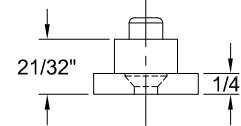


**NOTES:**

- PIVOTS DRILLED FOR 1/4-20 x 3/4" FHMS OR #14 x 1-1/2" FHWS.
- REINFORCING BY OTHERS.
- RADIUS HEEL EDGE OF DOOR 1-1/4" MAX FOR 1-3/8" TO 2-1/2" THICK DOORS.
- IT IS THE DOOR AND FRAME MANUFACTURERS RESPONSIBILITY TO CHECK THE HARDWARE SCHEDULE AND PREP THE DOORS AND FRAMES.
- CENTERLINE OF TOP PIVOT PIN MUST BE PLUMB AND STRAIGHT WITH BOTTOM PIVOT.



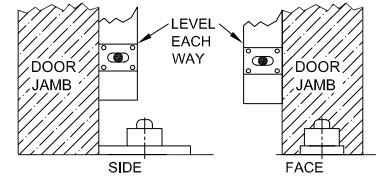
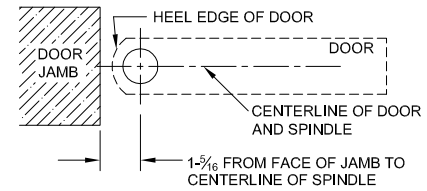
1/4-20 X 3/4" FHMS OR #14 X 1-1/2" FHWS (2 PLACES)



**0128 FLOOR PORTION**

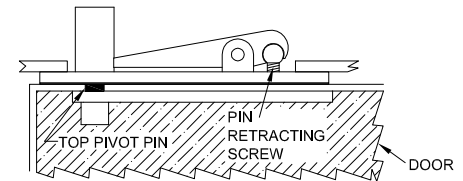
## INSTALLATION INSTRUCTIONS

- MEASURE 1-5/16" OUT FROM DOOR JAMB ON CENTERLINE OF DOOR. THIS IS THE LOCATION OF SPINDLE CENTER.
- ROUND HEEL EDGE AND PREPARE DOOR FOR 1/16" MIN. CLEARANCE THRU ENTIRE OPENING.
- INSTALL 0128 DOOR PORTION PER TEMPLATE.
- INSTALL 0128 FLOOR PORTION PER TEMPLATE.
- INSTALL 0320 DOOR PORTION PER TEMPLATE.
- INSTALL 0320 JAMB PORTION PER TEMPLATE.
- CENTERLINE OF PIVOT SHOULD ALIGN WITH CENTERLINE OF BOTTOM SPINDLE. USE A PLUMB LINE TO ASSURE ACCURACY.
- SET INSTALLED 0128 DOOR PORTION ON 0128 FLOOR PORTION SPINDLE.
- ENGAGE THE TOP PIVOT PIN BY TURNING PIN RETRACTING SCREW CLOCKWISE.
- FASTEN 0320 DRESS PLATE TO 0320 JAMB PORTION.

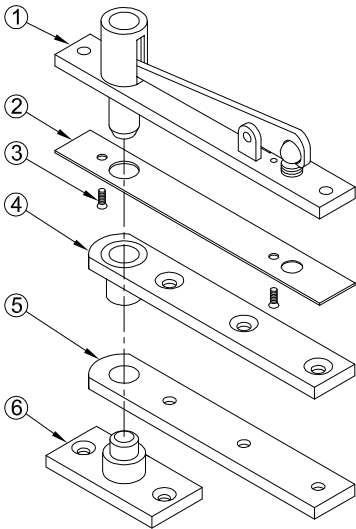


## DISMOUNT DOOR (IF REQUIRED)

- OPEN THE DOOR ENOUGH TO DISENGAGE THE TOP PIVOT.
- ROTATE THE DOOR TO CLOSED POSITION.
- WITH THE TOP OF THE DOOR LEANING TOWARD YOU, LIFT THE DOOR CLEAR OF THE SPINDLE.



**0320 TOP PIVOT**



ITEM NO.	QTY.	PART NO.
1	1	0320 JAMB PORTION
2	1	0320 DRESS PLATE
3	2	0320 DRESS PLATE SCREW
4	1	0320 DOOR PORTION
5	1	0128 DOOR PORTION
6	1	0128 FLOOR PORTION



www.abhmf.com  
 E-mail: abhinfo@abhmf.com  
 Architectural Builders Hardware Mfg., Inc.  
 1222 Ardmore Ave., Itasca, IL 60143  
 630.875.9900; FAX 800.9FAXABH (932.9224)

© 2015 ABH Mfg., Inc.  
 printed in USA

0128-06.DWG

**0128**

PAGE 1 OF 1

REVISED 04-21-15