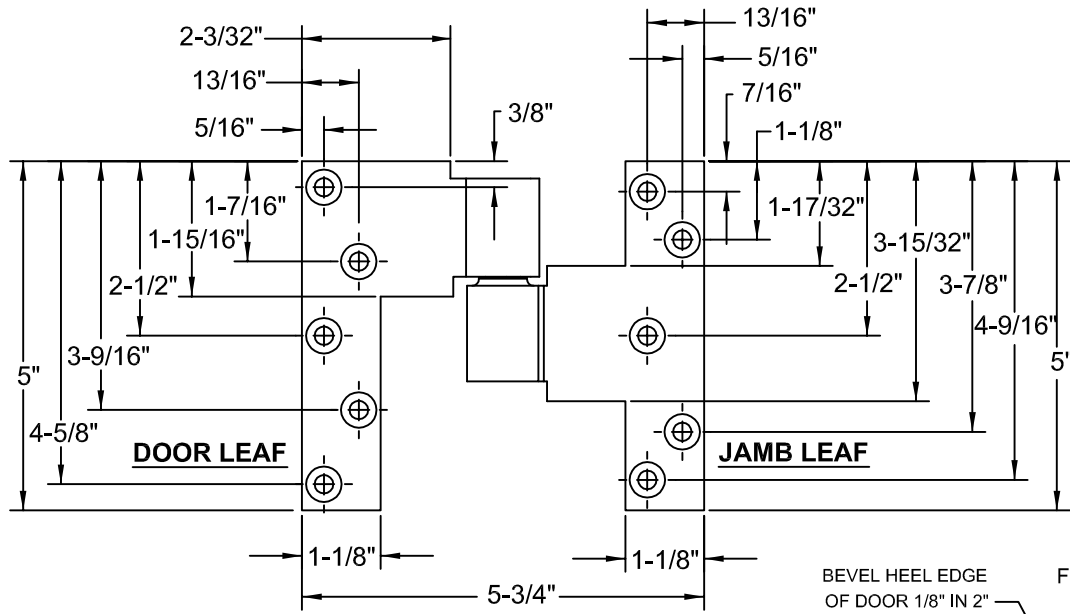
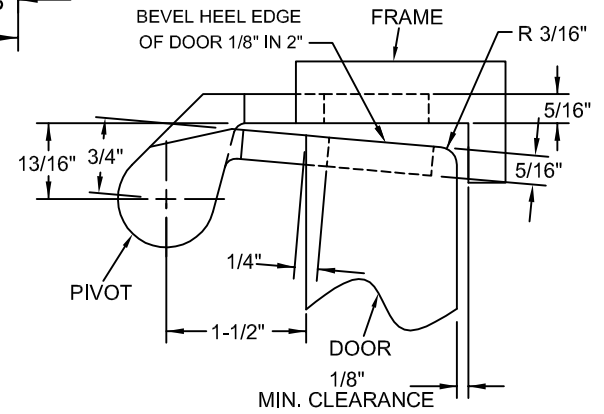


019-1.5 INTERMEDIATE PIVOT, 1 1/2" OFFSET, HANDED



NOTES:

1. PIVOTS DRILLED FOR 1/4-20 x 3/4 FHMS OR #14 x 2" FHWS.
2. REINFORCING BY OTHERS.
3. IT IS THE DOOR AND FRAME MANUFACTURERS RESPONSIBILITY TO CHECK THE HARDWARE SCHEDULE AND PREP THE DOORS AND FRAMES.
4. MAXIMUM DEGREE OF OPENING, 180°, TRIM PERMITTING.
5. RIGHT HAND SHOWN.

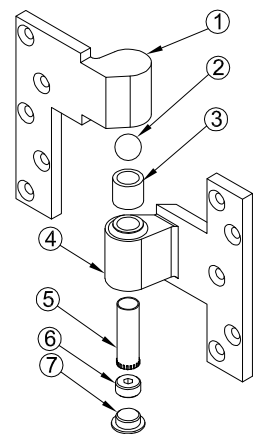
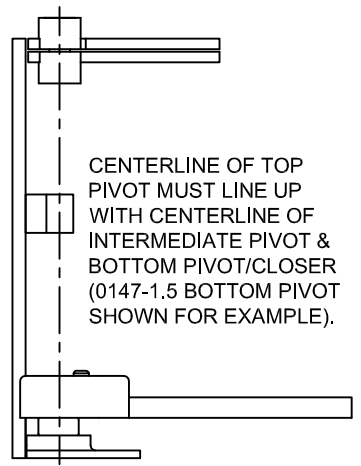


TOP VIEW

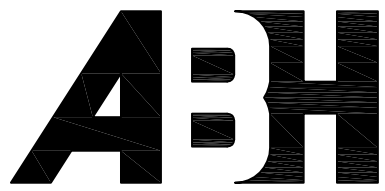
INSTALLATION INSTRUCTIONS

NOTE: DOOR SHOULD ALREADY BE HUNG WITH TOP PIVOT AND BOTTOM PIVOT (OR FLOOR CLOSER).

1. MORTISE DOOR & FRAME PER TEMPLATE ABOVE.
2. INSTALL 019-1.5 DOOR & FRAME PIVOT LEAVES.
3. ALIGN PIVOT POINT FROM TOP PIVOT TO BOTTOM ARM (SEE DRAWING).
4. REMOVE 019 END CAP.
5. TURN 019 RETAINER SCREW CLOCKWISE TO RAISE THE DOOR OR COUNTERCLOCKWISE TO LOWER DOOR UNTIL YOU REACH THE DESIRED HEIGHT.
6. TURN 019 RETAINER SCREW .
7. TIGHTEN 019 RETAINER SCREW UNTIL YOU FEEL RESISTENCE.
8. REPLACE 019 END CAP.



ITEM NO.	QTY.	PART NO.
1	1	019-1.5 Door Leaf
2	1	019 Alignment Ball
3	1	019 Needle Bearing
4	1	019-1.5 Jamb Leaf
5	1	019 Pivot Pin
6	1	019 Retainer Screw
7	1	019 End Cap



® www.abhmfg.com
 E-mail: abhinfo@abhmfg.com
 Architectural Builders Hardware Mfg., Inc.
 1222 Ardmore Ave., Itasca, IL 60143
 630.875.9900; FAX 800.9FAXABH (932.9224)

© 2015 ABH Mfg., Inc.
 printed in USA

019-1.5

PAGE 1 OF 1

REVISED 04-21-15

019-1.5-03.DWG