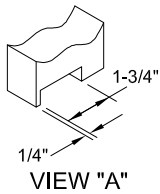
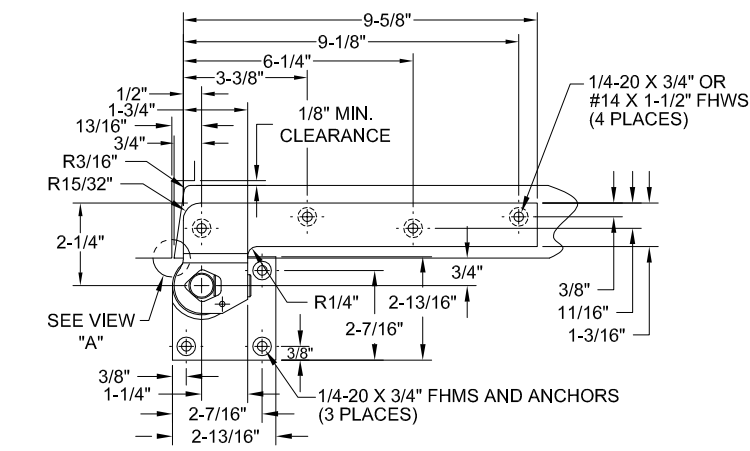


0547 PIVOT SET, 3/4" OFFSET, HANDED

FOR USE WITH ARCH TOP DOORS OR OVERHEAD CONCEALED CLOSERS
 CONSISTS OF (2) 019 INTERMEDIATE PIVOTS & (1) 0147 BOTTOM PIVOT

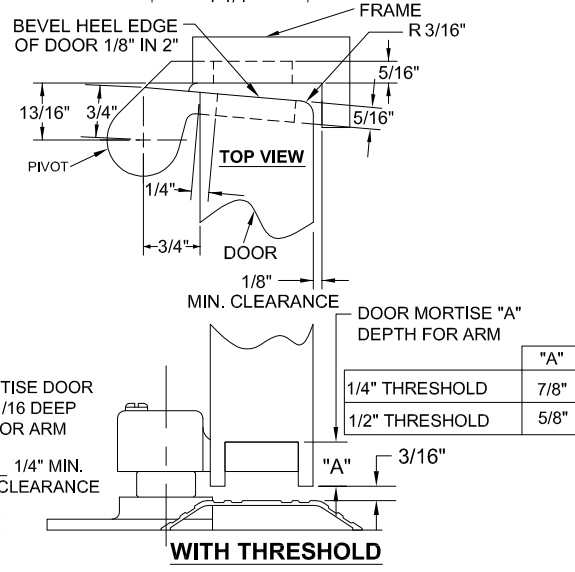
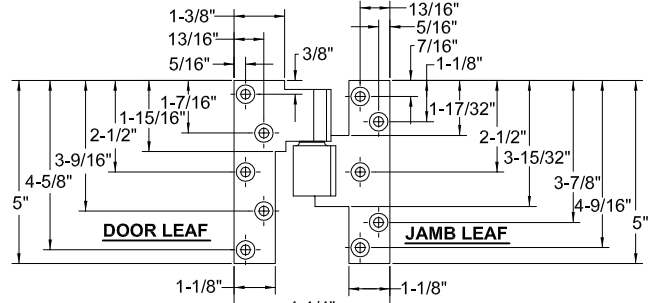
0147 BOTTOM PIVOT



NOTES:

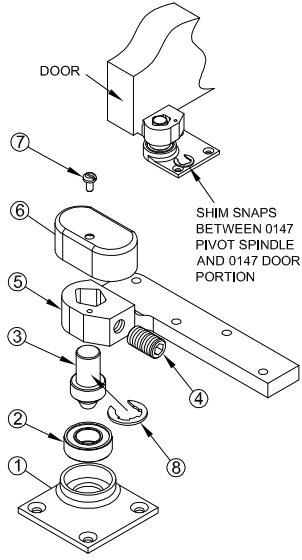
1. PIVOTS DRILLED FOR 1/4-20 FHWS OR #14 FHWS.
2. REINFORCING BY OTHERS.
3. IT IS THE DOOR AND FRAME MANUFACTURERS RESPONSIBILITY TO CHECK THE HARDWARE SCHEDULE AND PREP THE DOORS AND FRAMES.
4. MAXIMUM DEGREE OF OPENING, 180°, TRIM PERMITTING.
5. RIGHT HANDED SHOWN.

019 INTERMEDIATE PIVOT

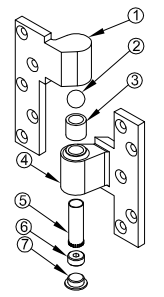
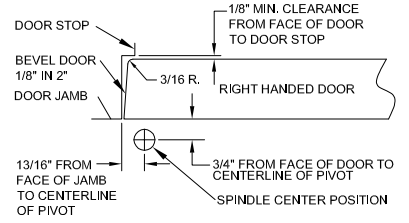
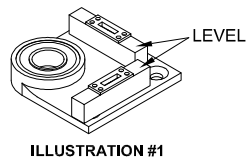
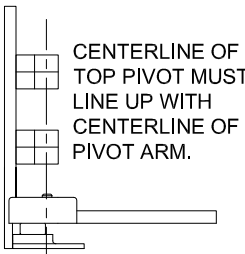


INSTALLATION INSTRUCTIONS

1. MEASURE 13/16" OUT FROM DOOR JAMB.
2. ALLOW 1/8" MIN CLEARANCE FROM DOOR STOP TO DOOR FACE. MEASURE DOOR THICKNESS AND ADD 3/4".
3. WHERE THESE LINES INTERSECT DETERMINES THE CENTERLINE OF THE PIVOT POINT.
4. FLOOR PORTION MUST BE INSTALLED COMPLETELY LEVEL IN BOTH DIRECTIONS PER ILLUSTRATION #1.
5. INSTALL 019 DOOR PORTION PER TEMPLATE
6. INSTALL 019 JAMB PORTION PER TEMPLATE.
7. INSTALL 0147 DOOR PORTION PER TEMPLATE.
8. SET DOOR ON 0147 FLOOR PORTION BEARING.
9. IF DOOR DRAGS AT FLOOR (OR THRESHOLD, IF USED) LOOSEN SET SCREW AND RAISE DOOR TO DESIRED CLEARANCE AND INSERT 1/16" THICK SHIM. RETIGHTEN SET SCREW SECURELY.
10. PUT 0147 COVER ON AND SECURE TIGHTLY WITH 0147 COVER SCREW.



ITEM NO.	QTY.	PART NO.
1	1	0147 FLOOR PORTION
2	1	0147 BEARING
3	1	0147 PIVOT SPINDLE
4	1	0147 SET SCREW
5	1	0147 DOOR PORTION
6	1	0147 COVER
7	1	0147 COVER SCREW
8	1	1/16" SHIM (IF REQUIRED)



ITEM NO.	QTY.	PART NO.
1	1	019 DOOR LEAF
2	1	019 ALIGNMENT BALL
3	1	019 NEEDLE BEARING
4	1	019 JAMB LEAF
5	1	019 PIVOT PIN
6	1	019 RETAINER SCREW
7	1	019 END CAP



www.abhmfg.com
 E-mail: abhinfo@abhmfg.com
 Architectural Builders Hardware Mfg., Inc.
 1222 Ardmore Ave., Itasca, IL 60143
 630.875.9900; FAX 800.9FAXABH (932.9224)

© 2015 ABH Mfg., Inc.
 printed in USA

0547
 PAGE 1 OF 1
 REVISED 04-21-15