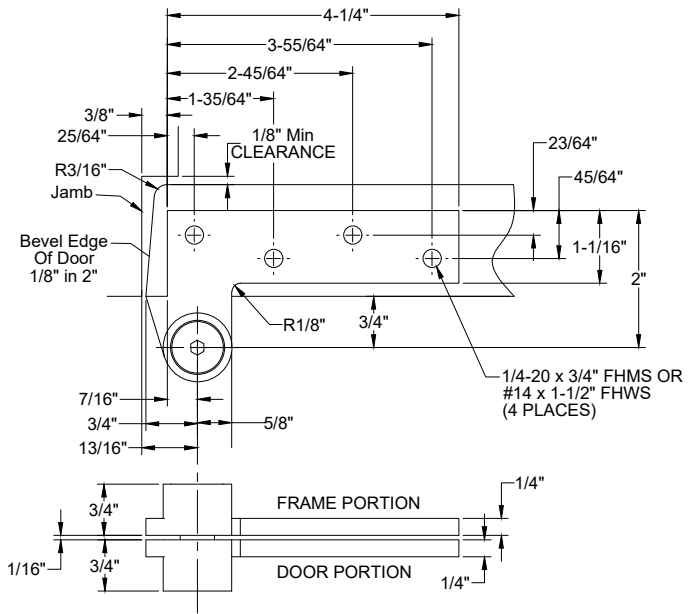
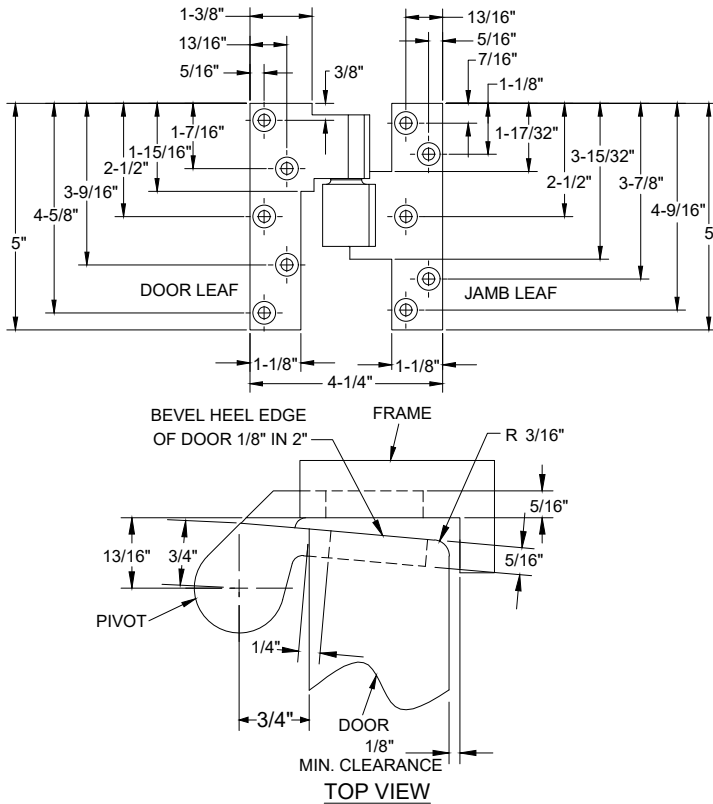


0165 PIVOT SET, 3/4" OFFSET, HANDED

CONSISTS OF (1) 0180 TOP PIVOT & (2) 019 INTERMEDIATE PIVOTS

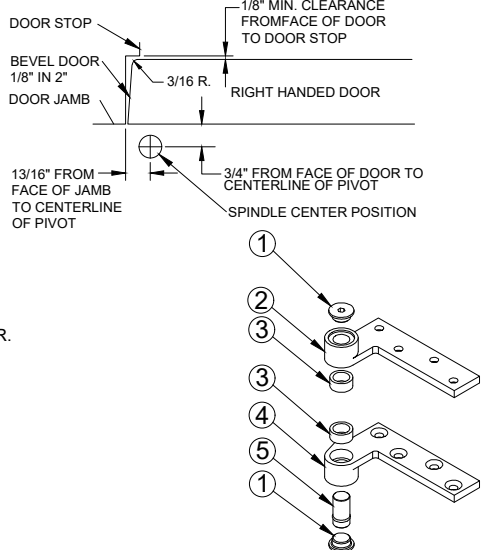
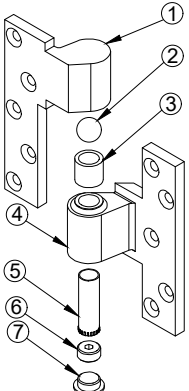
(2) 019 INTERMEDIATE PIVOTS

(1) 0180 TOP PIVOT

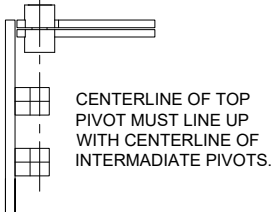


INSTALLATION INSTRUCTIONS

1. MEASURE $1\frac{3}{16}$ " OUT FROM DOOR JAMB.
2. ALLOW $\frac{1}{8}$ " MIN CLEARANCE FROM DOOR STOP TO DOOR FACE. MEASURE DOOR THICKNESS AND ADD $\frac{3}{4}$ ".
3. WHERE THESE LINES INTERSECT DETERMINES THE CENTERLINE OF THE PIVOT POINT.
4. INSTALL 0180 DOOR PORTION PER TEMPLATE
5. INSTALL 0180 JAMB PORTION PER TEMPLATE.
6. MORTISE 019 DOOR & FRAME PER TEMPLATE ABOVE.
7. AFFIX 019 PIVOT TO DOOR & FRAME.
8. ALIGN PIVOT POINT FROM TOP PIVOT TO BOTTOM ARM.
9. REMOVE 019 END CAP TURN RETAINER SCREW CLOCKWISE. RAISE THE DOOR TO THE DESIRED HEIGHT.
10. TURN 019 RETAINER SCREW COUNTERCLOCKWISE TO LOWER DOOR.
11. TIGHTEN 019 RETAINER SCREW UNTIL YOU FEEL RESISTANCE. REPLACE 019 END CAP.



ITEM NO.	QTY.	PART NO.
1	1	019 Door Leaf
2	1	019 Alignment Ball
3	1	019 Needle Bearing
4	1	019 Jamb Leaf
5	1	019 Pivot Pin
6	1	019 Retainer Screw
7	1	019 End Cap



ITEM NO.	QTY.	PART NO.
1	2	0180 End Cap
2	1	0180 Jamb Portion
3	2	0180 Needle Bearing
4	1	0180 Door Portion
5	1	0180 Pivot Pin

Disclaimer: This template is to be used for installation, as shown, of said product and is not suitable for every application method. Custom applications, where door sizes, weights and conflicting hardware are a factor, need to be addressed with ABH and proper instructions provided. ABH is not liable for failure or performance of the product due to improper installation methods and/or use. Improper use and/or installation of this product will void the standard warranty.



www.abhmfg.com
 E-mail: abhinfo@abhmfg.com
 Architectural Builders Hardware Mfg., Inc.
 1222 Ardmore Ave., Itasca, IL 60143
 630.875.9900; FAX 800.9FAXABH (932.9224)

© 2020 ABH Mfg., Inc.
 printed in USA

0165
 PAGE 1 OF 1
 REVISED 08-28-20

0165-02.DWG