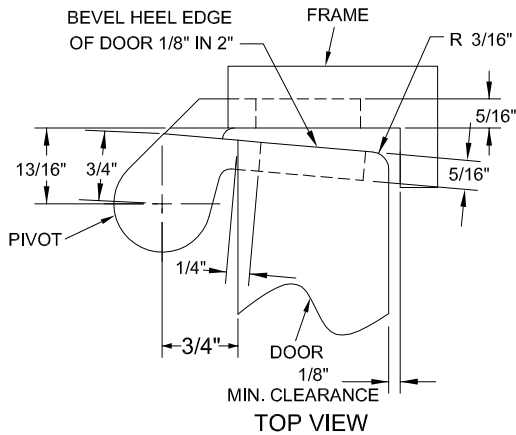
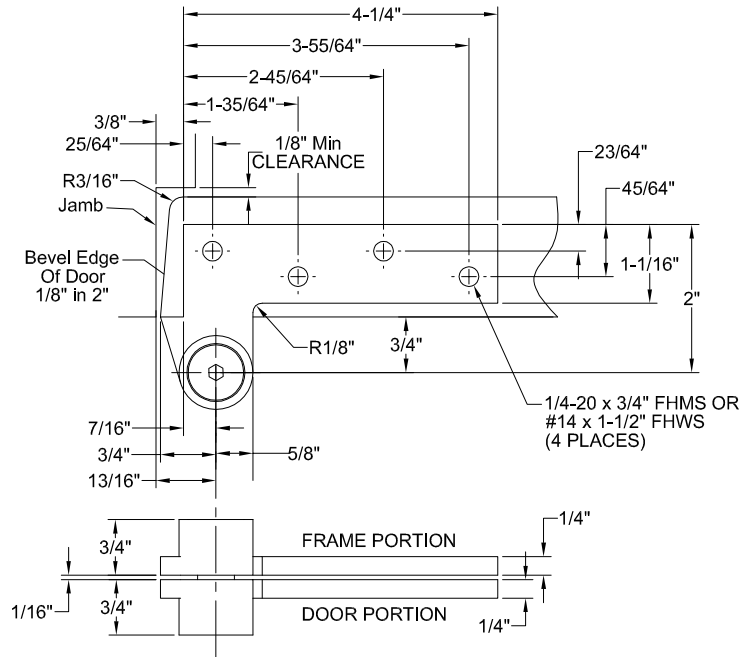
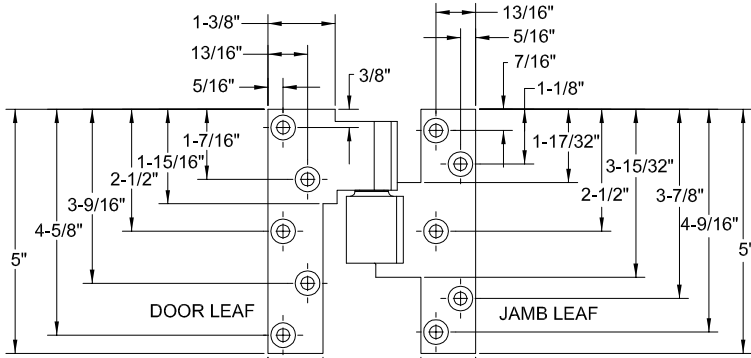


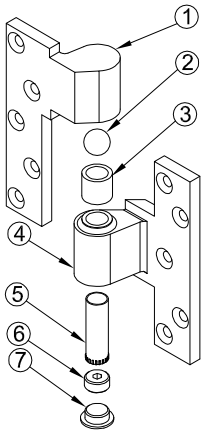
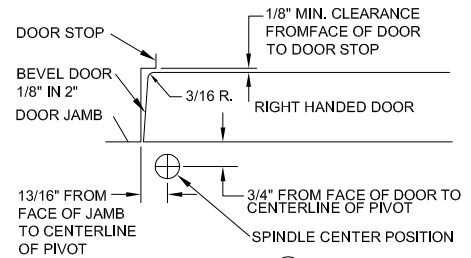
# 0165 PIVOT SET, $\frac{3}{4}$ " OFFSET, HANDED

## CONSISTS OF (1) 0180 TOP PIVOT & (2) 019 INTERMEDIATE PIVOTS

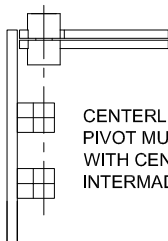


### INSTALLATION INSTRUCTIONS

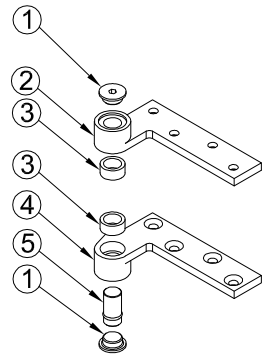
1. MEASURE  $\frac{13}{16}$ " OUT FROM DOOR JAMB.
2. ALLOW  $\frac{1}{8}$ " MIN CLEARANCE FROM DOOR STOP TO DOOR FACE. MEASURE DOOR THICKNESS AND ADD  $\frac{3}{4}$ ".
3. WHERE THESE LINES INTERSECT DETERMINES THE CENTERLINE OF THE PIVOT POINT.
4. INSTALL 0180 DOOR PORTION PER TEMPLATE
5. INSTALL 0180 JAMB PORTION PER TEMPLATE.
6. MORTISE 019 DOOR & FRAME PER TEMPLATE ABOVE.
7. AFFIX 019 PIVOT TO DOOR & FRAME.
8. ALIGN PIVOT POINT FROM TOP PIVOT TO BOTTOM ARM.
9. REMOVE 019 END CAP TURN RETAINER SCREW CLOCKWISE.  
RAISE THE DOOR TO THE DESIRED HEIGHT.
10. TURN 019 RETAINER SCREW COUNTERCLOCKWISE TO LOWER DOOR.
11. TIGHTEN 019 RETAINER SCREW UNTIL YOU FEEL RESISTENCE. REPLACE 019 END CAP.



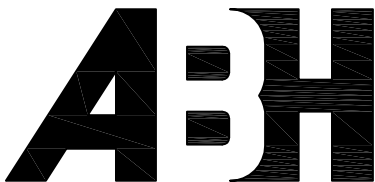
| ITEM NO. | QTY. | PART NO.           |
|----------|------|--------------------|
| 1        | 1    | 019 Door Leaf      |
| 2        | 1    | 019 Alignment Ball |
| 3        | 1    | 019 Needle Bearing |
| 4        | 1    | 019 Jamb Leaf      |
| 5        | 1    | 019 Pivot Pin      |
| 6        | 1    | 019 Retainer Screw |
| 7        | 1    | 019 End Cap        |



CENTERLINE OF TOP PIVOT MUST LINE UP WITH CENTERLINE OF INTERMEDIATE PIVOTS.



| ITEM NO. | QTY. | PART NO.            |
|----------|------|---------------------|
| 1        | 2    | 0180 End Cap        |
| 2        | 1    | 0180 Jamb Portion   |
| 3        | 2    | 0180 Needle Bearing |
| 4        | 1    | 0180 Door Portion   |
| 5        | 1    | 0180 Pivot Pin      |



www.abhmfg.com  
 E-mail: abhinfo@abhmfg.com  
 Architectural Builders Hardware Mfg., Inc.  
 1222 Ardmore Ave., Itasca, IL 60143  
 630.875.9900; FAX 800.9FAXABH (932.9224)

© 2015 ABH Mfg., Inc.  
 printed in USA

0165-01.DWG

0165

PAGE 1 OF 1

REVISED 04-21-15