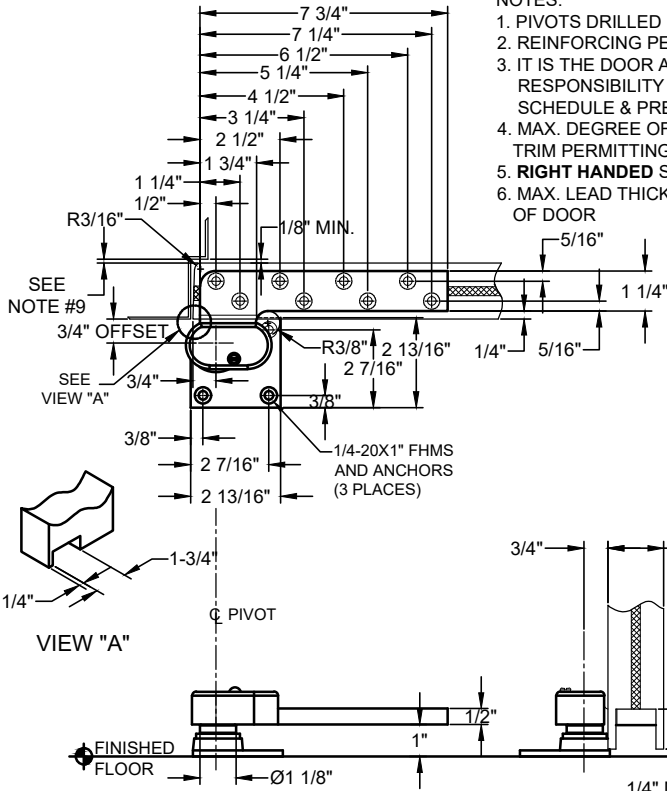


L0147 PIVOT SET, 3/4" OFFSET, HANDED

FOR 1-3/4" LEAD LINED DOORS

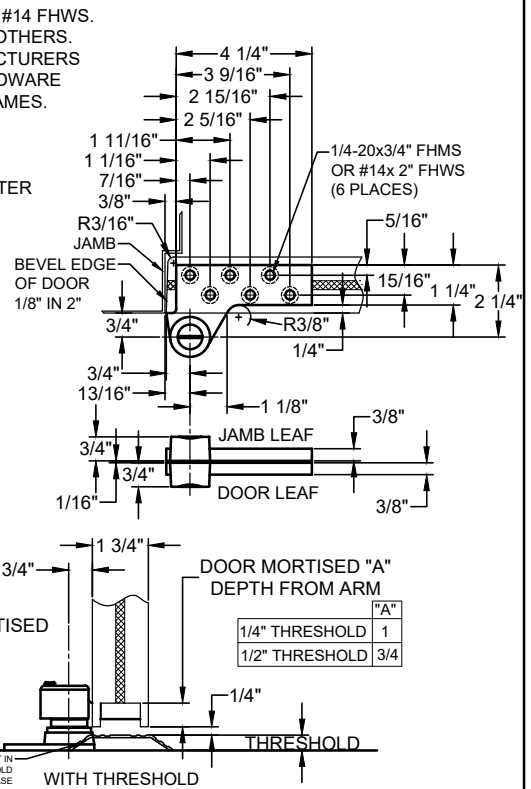
L0147 BOTTOM PIVOT



NOTES:

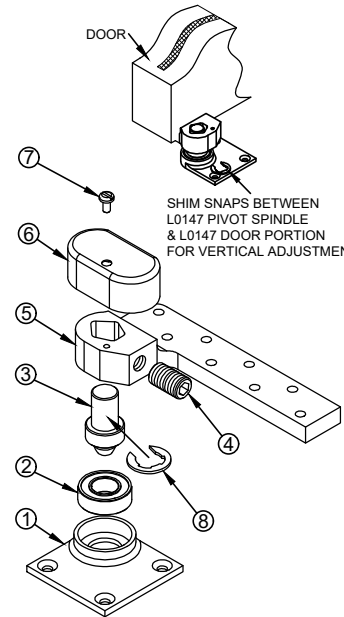
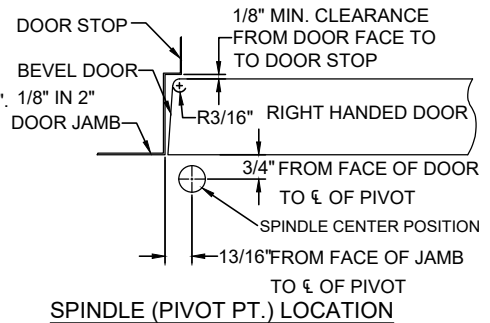
1. PIVOTS DRILLED FOR 1/4-20 FHMS OR #14 FHWS.
2. REINFORCING PER ANSI /SDI 100, BY OTHERS.
3. IT IS THE DOOR AND FRAME MANUFACTURERS RESPONSIBILITY TO CHECK THE HARDWARE SCHEDULE & PREP THE DOORS & FRAMES.
4. MAX. DEGREE OF OPENING 180°, TRIM PERMITTING.
5. **RIGHT HANDED** SHOWN.
6. MAX. LEAD THICKNESS = 9/32" IN CENTER OF DOOR

L0180 TOP PIVOT

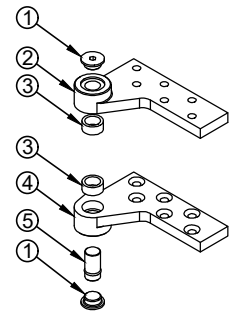
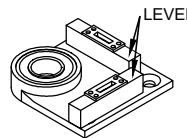
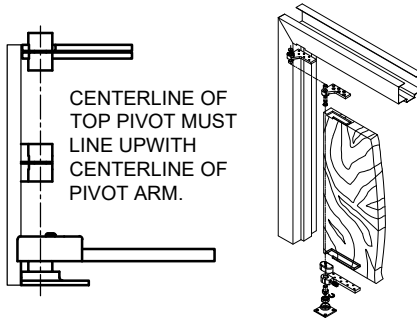


INSTALLATION INSTRUCTIONS

1. MEASURE 1 3/16" OUT FROM DOOR JAMB.
2. ALLOW 1/8" MIN CLEARANCE FROM DOOR STOP TO DOOR FACE. MEASURE DOOR THICKNESS AND ADD 3/4". 1/8" IN 2"
3. WHERE THESE LINES INTERSECT DETERMINES THE CENTERLINE OF THE PIVOT POINT.
4. FLOOR PORTION MUST BE INSTALLED COMPLETELY LEVEL IN BOTH DIRECTIONS PER ILLUSTRATION.
5. INSTALL L0180 DOOR PORTION PER TEMPLATE.
6. INSTALL L0180 JAMB PORTION PER TEMPLATE.
7. INSTALL L0147 DOOR PORTION PER TEMPLATE.
8. IF L019 INTERMEDIATE PIVOT IS USED, SEE SEPARATE TEMPLATE.
9. SET DOOR ON L0147 FLOOR PORTION BEARING.
10. PUSH L0180 PIVOT PIN IN PLACE & SECURELY TIGHTEN 0180 END CAP.
11. IF DOOR DRAGS AT FLOOR (OR THRESHOLD, IF USED) LOOSEN SET SCREW AND RAISE DOOR TO DESIRED CLEARANCE AND INSERT 1/16" THICK SHIM. RETIGHTENS SET SCREW SECURELY.
12. PUT L0147 COVER ON & SECURE TIGHTLY WITH L0147 COVER SCREW.



ITEM NO.	QTY.	PART NO.
1	1	L0147 FLOOR PORTION
2	1	L0147 BEARING
3	1	L0147 PIVOT SPINDLE
4	1	L0147 SET SCREW
5	1	L0147 DOOR PORTION
6	1	L0147 COVER
7	1	L0147 COVER SCREW
8	1	1/16" SHIM (IF REQUIRED)



ITEM #	QTY.	PART NO.
1	2	L0180 END CAP
2	1	L0180 JAMB PORTION
3	2	L0180 NEEDLE BEARING
4	1	L0180 DOOR PORTION
5	1	L0180 PIVOT PIN

Disclaimer: This template is to be used for installation, as shown, of said product and is not suitable for every application method. Custom applications, where door sizes, weights and conflicting hardware are a factor, need to be addressed with ABH and proper instructions provided. ABH is not liable for failure or performance of the product due to improper installation methods and/or use. Improper use and/or installation of this product will void the standard warranty.



www.abhmf.com
 E-mail: abhinfo@abhmf.com
 Architectural Builders Hardware Mfg., Inc.
 1222 Ardmore Ave., Itasca, IL 60143
 630.875.9900; FAX 800.9FAXABH (932.9224)

© 2020 ABH Mfg., Inc.
 printed in USA

L0147

PAGE 1 OF 1

REVISED 09-18-24

L0147-05.DWG