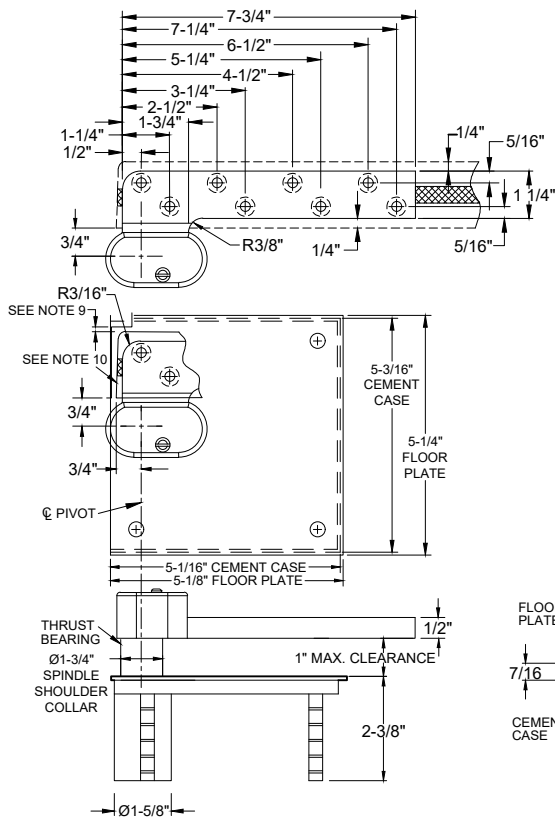


# L0117 PIVOT SET, 3/4" OFFSET, HANDED FOR 1-3/4" LEAD LINED DOORS

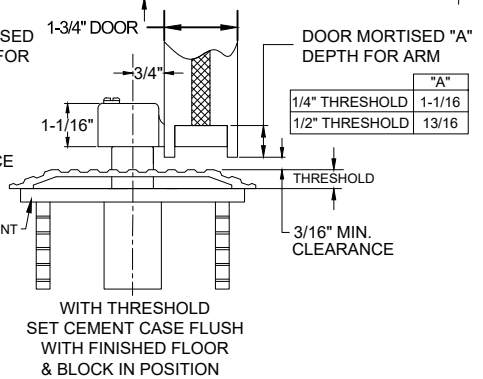
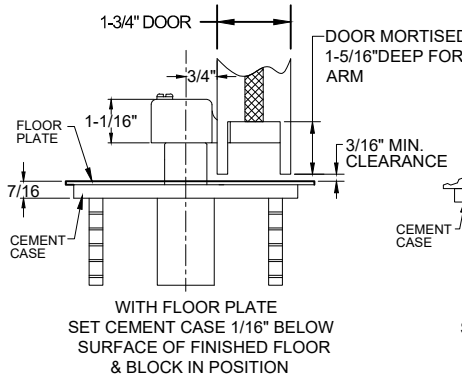
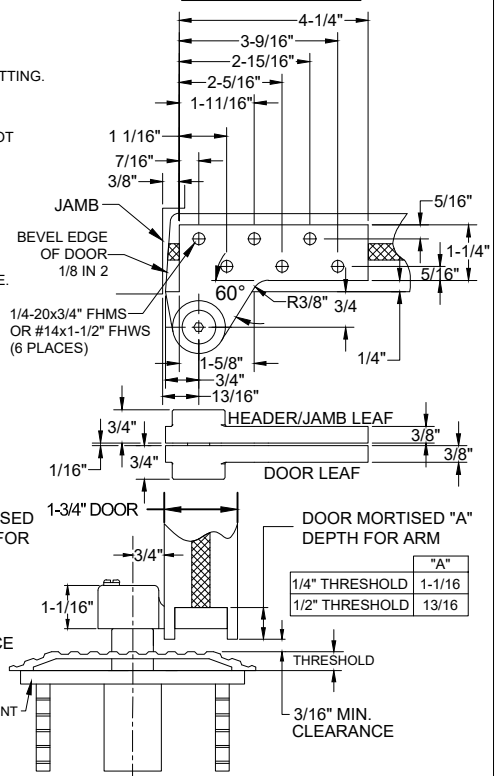
## L0117 BOTTOM PIVOT



### NOTES:

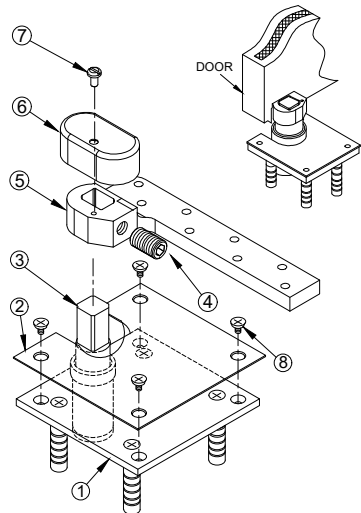
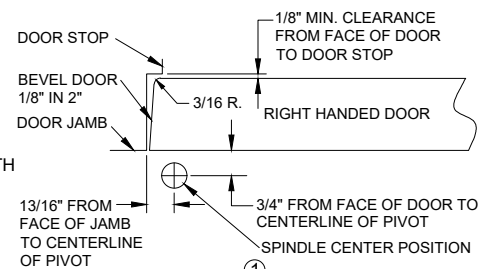
- DO NOT SCALE DRAWING.
- RIGHT HAND SHOWN.**
- SUITABLE REINFORCEMENT BY OTHER.
- MAXIMUM DEGREE OF OPENING 180°, TRIM PERMITTING.
- ARM DRILLED TO RECEIVE 1/4-20 X 1" FHWS OR #14 X 2" FHWS.
- FOR WOOD DOORS, PRE DRILL ARM AND TOP PIVOT HOLES TO PREVENT SPLITTING.
- IF VERTICAL ADJUSTMENT IS REQUIRED, TWO (2) 1/16" SHIMS ARE PROVIDED. PLACED SHIMS BETWEEN ARM AND PIVOT PIN COLLAR.
- CENTERLINE OF TOP PIVOT PIN MUST BE PLUMB & STRAIGHT WITH INTERMEDIATE & BOTTOM PIVOT.
- 1/8" MIN. CLEARANCE BETWEEN DOOR AND FRAME.
- BEVEL EDGE OF DOOR 1/8" IN 2"
- LEAD LINING BY OTHERS FOR 1-3/4" THK. DOOR WITH MAX. LEAD THICKNESS 9/32" PLACED IN CENTER OF DOOR.
- IT IS THE DOOR AND FRAME MANUFACTURERS RESPONSIBILITY TO CHECK THE HARDWARE SCHEDULE AND PREP THE DOORS AND FRAMES.
- ALL DIMENSIONS ARE IN INCHES, UNLESS NOTED OTHERWISE.

## L0180 TOP PIVOT

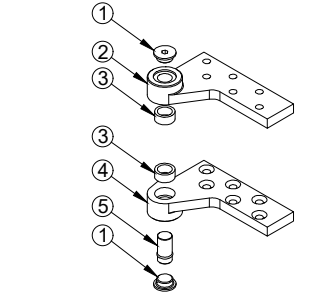
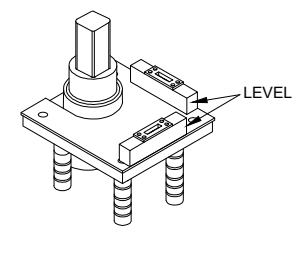
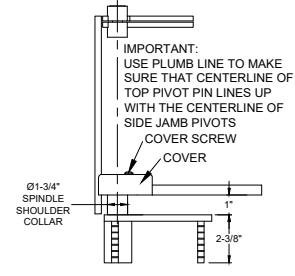


## INSTALLATION INSTRUCTIONS

- MEASURE 1<sup>3</sup>/<sub>16</sub>" OUT FROM DOOR JAMB.
- ALLOW 1/8" MIN CLEARANCE FROM DOOR STOP TO DOOR FACE. MEASURE DOOR THICKNESS AND ADD 3/4".
- WHERE THESE LINES INTERSECT DETERMINES THE CENTERLINE OF THE PIVOT POINT.
- FLOOR PORTION (CEMENT CASE) SHOULD BE PARALLEL WITH CENTERLINE & MUST BE INSTALLED COMPLETELY LEVEL IN BOTH DIRECTIONS PER ILLUSTRATION.
- INSTALL L0180 DOOR PORTION PER TEMPLATE.
- INSTALL L0180 JAMB PORTION PER TEMPLATE.
- INSTALL L0117 DOOR PORTION PER TEMPLATE.
- IF L019 INTERMEDIATE PIVOT IS USED, SEE SEPARATE TEMPLATE.
- SET DOOR ON L0117 PIVOT SET SPINDLE AND TIGHTEN L0117 SET SCREW.
- PUSH L0180 PIVOT PIN IN PLACE AND SECURELY TIGHTEN L0180 END CAP.
- PUT L0117 COVER ON AND SECURE TIGHTLY WITH L0117 COVER SCREW.



ITEM NO.	QTY.	PART NO.
1	1	L0117 CEMENT CASE
2	1	L0117 CEMENT CASE MOUNTING PLATE
3	1	L0117 PIVOT PIN
4	1	L0117 SET SCREW
5	1	L0117 ARM
6	1	L0117 COVER
7	1	L0117 COVER SCREW
8	4	L0117 CASE MOUNTING PLATE SCREWS



ITEM NO.	QTY.	PART NO.
1	2	L0180 END CAP
2	1	L0180 JAMB PORTION
3	2	L0180 NEEDLE BEARING
4	1	L0180 DOOR PORTION
5	1	L0180 PIVOT PIN

**Disclaimer:** This template is to be used for installation, as shown, of said product and is not suitable for every application method. Custom applications, where door sizes, weights and conflicting hardware are a factor, need to be addressed with ABH and proper instructions provided. ABH is not liable for failure or performance of the product due to improper installation methods and/or use. Improper use and/or installation of this product will void the standard warranty.



www.abhmfg.com  
E-mail: abhinfo@abhmfg.com  
Architectural Builders Hardware Mfg., Inc.  
1222 Ardmore Ave., Itasca, IL 60143  
630.875.9900; FAX 800.9FAXABH (932.9224)

© 2020 ABH Mfg., Inc.  
printed in USA

L0117-1-3/4"  
L.L. DOOR  
PAGE 1 OF 1  
REVISED 10-21-20

L0117-04.DWG