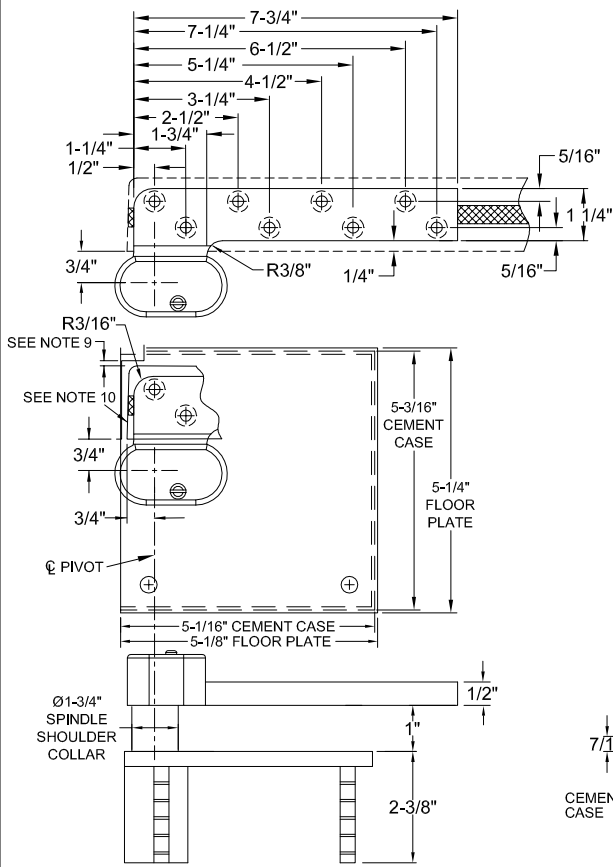


# L0117 PIVOT SET, 3/4" OFFSET, HANDED FOR 1-3/4" LEAD LINED DOORS

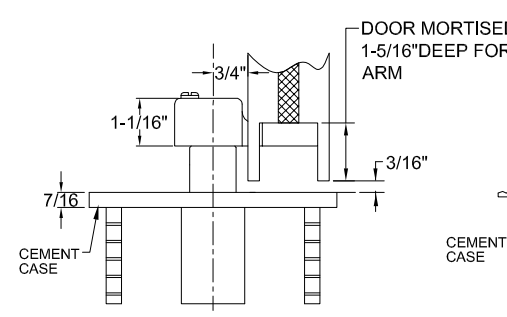
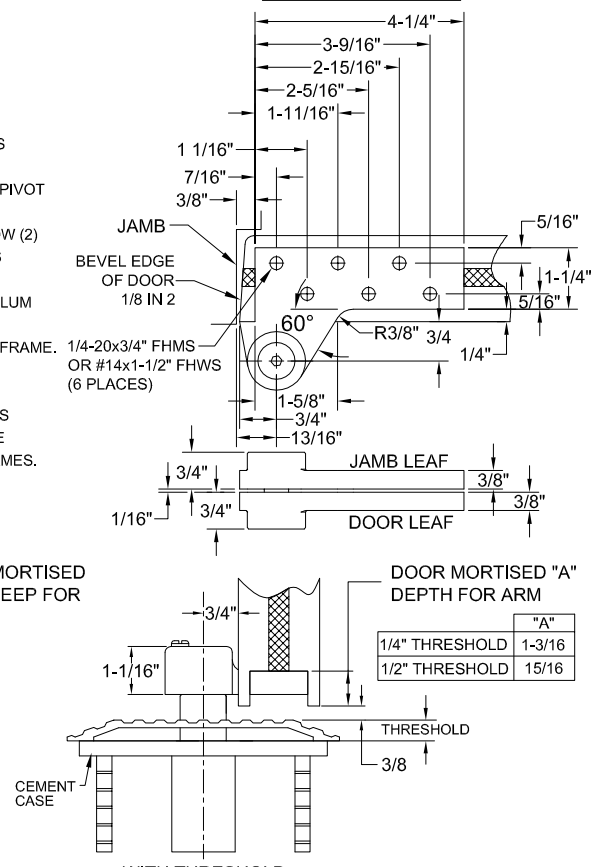
## L0117 BOTTOM PIVOT



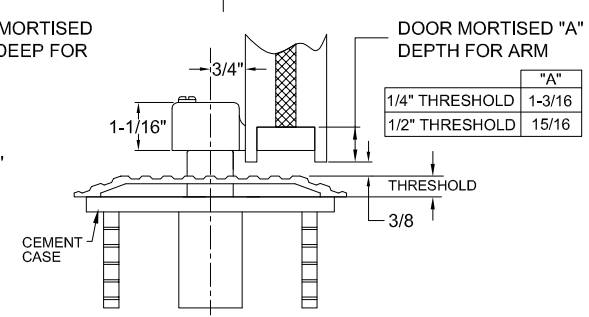
### NOTES:

- DO NOT SCALE DRAWING.
- RIGHT HAND SHOWN.
- SUITABLE REINFORCEMENT BY OTHER.
- MAXIMUM DEGREE OF OPENING 180°, TRIM PERMITTING.
- ARM DRILLED TO RECEIVED 1/4-20 X 1" FHMS OR #14 X 2" FHWS.
- FOR WOOD DOORS, PREFILL ARM AND TOP PIVOT HOLES TO PREVENT SPLITTING.
- IF VERTICAL ADJUSTMENT IS REQUIRED, TOW (2) 1/16" SHIMS ARE PROVIDED. PLACED SHIMS BETWEEN ARM AND PIVOT PIN COLLAR.
- CENTERLINE OF TOP PIVOT PIN MUST BE PLUM AND STRAIGHT WITH BOTTOM PIVOT.
- 1/8" MIN. CLEARANCE BETWEEN DOOR AND FRAME.
- BEVEL EDGE OF DOOR 1/8" IN 2"
- LEAD LINING BY OTHERS.
- IT IS THE DOOR AND FRAME MANUFACTURERS RESPONSIBILITY TO CHECK THE HARDWARE SCHEDULE AND PREP THE DOORS AND FRAMES.
- ALL DIMENSIONS ARE IN INCHES.

## L0180 TOP PIVOT



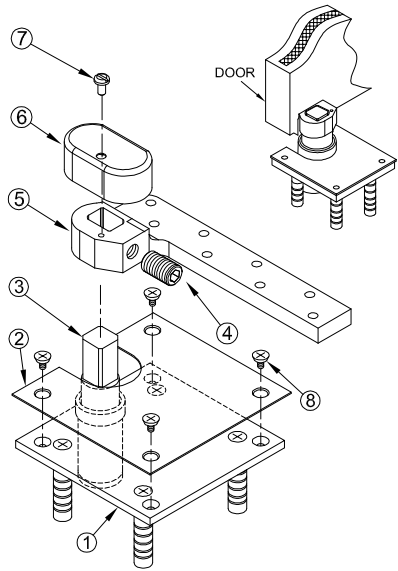
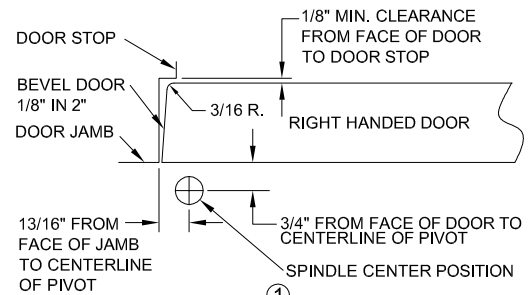
WITH FLOOR PLATE  
SET CEMENT CASE 1/16" BELOW  
SURFACE OF FINISHED FLOOR



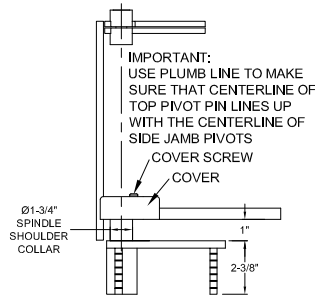
WITH THRESHOLD  
SET CEMENT CASE FLUSH  
WITH FINISHED FLOOR

## INSTALLATION INSTRUCTIONS

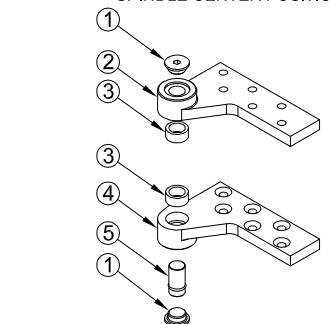
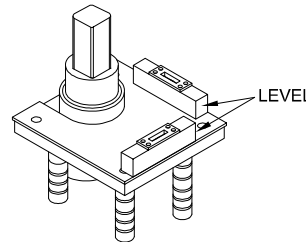
- MEASURE 13/16" OUT FROM DOOR JAMB.
- ALLOW 1/8" MIN CLEARANCE FROM DOOR STOP TO DOOR FACE. MEASURE DOOR THICKNESS AND ADD 3/4".
- WHERE THESE LINES INTERSECT DETERMINES THE CENTERLINE OF THE PIVOT POINT.
- FLOOR PORTION MUST BE INSTALLED COMPLETELY LEVEL IN BOTH DIRECTIONS PER ILLUSTRATION.
- INSTALL L0180 DOOR PORTION PER TEMPLATE
- INSTALL L0180 JAMB PORTION PER TEMPLATE.
- INSTALL L0117 DOOR PORTION PER TEMPLATE.
- IF L019 INTERMEDIATE PIVOT IS USED, SEE SEPARATE TEMPLATE.
- SET DOOR ON L0117 PIVOT SET SPINDLE AND TIGHTEN L0117 SET SCREW.
- PUSH L0180 PIVOT PIN IN PLACE AND SECURELY TIGHTEN L0180 END CAP.
- PUT L0117 COVER ON AND SECURE TIGHTLY WITH L0117 COVER SCREW.



ITEM NO.	QTY.	PART NO.
1	1	L0117 CEMENT CASE
2	1	L0117 CEMENT CASE MOUNTING PLATE
3	1	L0117 PIVOT PIN
4	1	L0117 SET SCREW
5	1	L0117 ARM
6	1	L0117 COVER
7	1	L0117 COVER SCREW
8	4	L0117 CASE MOUNTING PLATE SCREWS



Ø1-3/4" SPINDLE SHOULDER COLLAR



ITEM NO.	QTY.	PART NO.
1	2	L0180 END CAP
2	1	L0180 JAMB PORTION
3	2	L0180 NEEDLE BEARING
4	1	L0180 DOOR PORTION
5	1	L0180 PIVOT PIN



® www.abhmfg.com  
E-mail: abhinfo@abhmfg.com  
Architectural Builders Hardware Mfg., Inc.  
1222 Ardmore Ave., Itasca, IL 60143  
630.875.9900; FAX 800.9FAXABH (932.9224)

© 2015 ABH Mfg., Inc.  
printed in USA

L0117  
PAGE 1 OF 1  
REVISED 04-21-15

L0117-02.DWG