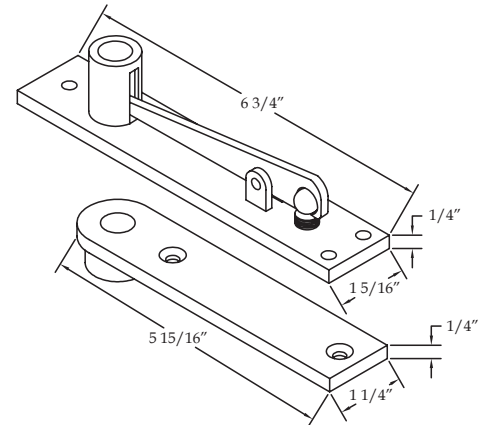


Center Hung Top Pivots

0340 Top Pivot – Center Hung

Standard Features

- Walking beam top pivot for center hung bottom pivot or floor closer
- Heavy Duty
- Jamb leaf mortises in header
- Door leaf mortises into top of the door
- Dress plate provided for jamb portion
- Non-handed
- Pivot point must be plumb with pivot point at the bottom of door



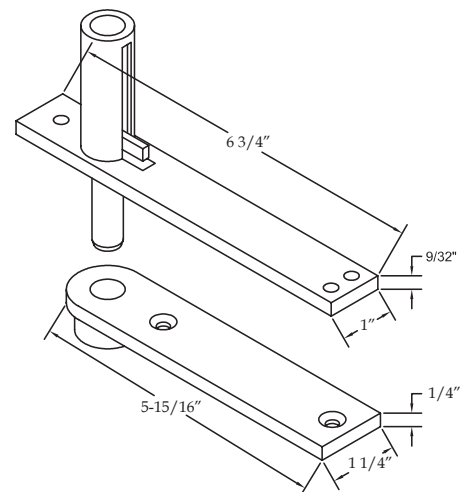
Options

- EXTP - Extended Pin on top pivot (up to 3/4" longer than standard)
- SEC - Security fasteners

0345 Top Pivot – Center Hung

Standard Features

- For use with 0370 bottom pivot when door height is in excess of 104"
- Extra heavy duty
- Jamb leaf mortises in header
- Door leaf mortises into top of the door
- Dress plate provided for jamb portion
- Non-handed
- Pivot point must be plumb with pivot point at the bottom of door



Options

- EXTP - Extended Pin on top pivot (up to 3/4" longer than standard)
- SEC - Security fasteners

