

Offset Pivot Sets

L0147 Pivot Set - 3/4" Offset

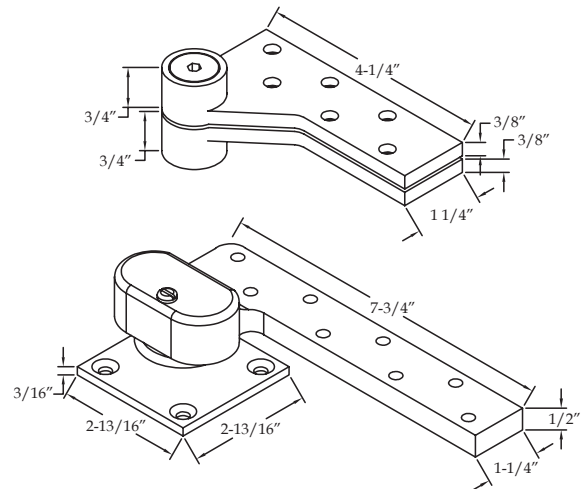
Standard Features

- L0180 Top Pivot
 - Frame leaf mortises into header
 - Door leaf mortises into top of door
- L0147 Bottom Pivot
 - Bottom leaf mounts on top of finished floor
 - Door leaf mortises into bottom of door
- Handed - Specify LH or RH
- **For use on 1-3/4" lead-lined doors**
- Maximum door load - 800 pounds
- Maximum door width - 48"
- UL listed for use on 3-hour fire rated doors - **Standard**
- Heavy duty bearings
- Stainless steel base material

Options

- **EXTS** - Extended Spindle on bottom pivot (up to 2" longer than standard)
- **EXTP** - Extended Pin on top pivot (up to 3/4" longer than standard)
- **SEC** - Security fasteners
- **B** - Bottom pivot only (no top pivot)

Meets or exceeds
ANSI C07162 & C07202



- L019 intermediate pivot required (order separately)
- Doors ranging from 60" to 90" tall should use one intermediate pivot. An additional intermediate pivot should be used for each additional 30" in height.

0195 Pivot Set - 3/4" Offset

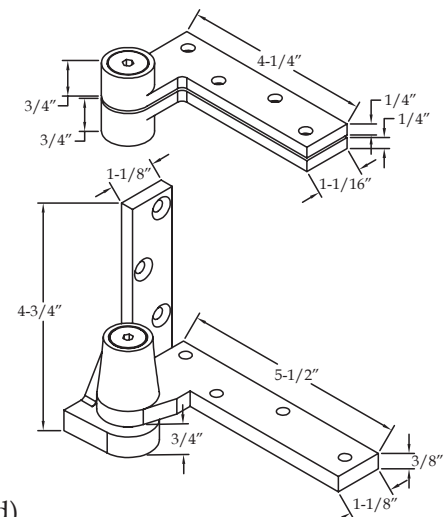
Standard Features

- 0180 Top Pivot
 - Frame leaf mortises into header
 - Door leaf mortises into top of door
- 0195 Bottom Pivot
 - Bottom leaf mortises into side jamb and rests on floor
 - Door leaf mortises into bottom of door
- Handed - Specify LH or RH
- Maximum door load - 450 pounds
- Maximum door width - 48"
- UL listed for use on 3-hour fire rated doors - **Standard**
- Heavy duty stainless steel needle bearings
- Stainless steel base material

Options

- **EXTS** - Extended Spindle on bottom pivot (up to 2" longer than standard)
- **EXTP** - Extended Pin on top pivot (up to 3/4" longer than standard)
- **SEC** - Security fasteners
- **B** - Bottom pivot only (no top pivot)

Meets or exceeds
ANSI C07131



- 019 intermediate pivot recommended (order separately)
- Doors ranging from 60" to 90" tall should use one intermediate pivot. An additional intermediate pivot should be used for each additional 30" in height.

