

Offset Pivot Sets

0165 Pivot Set - 3/4" Offset

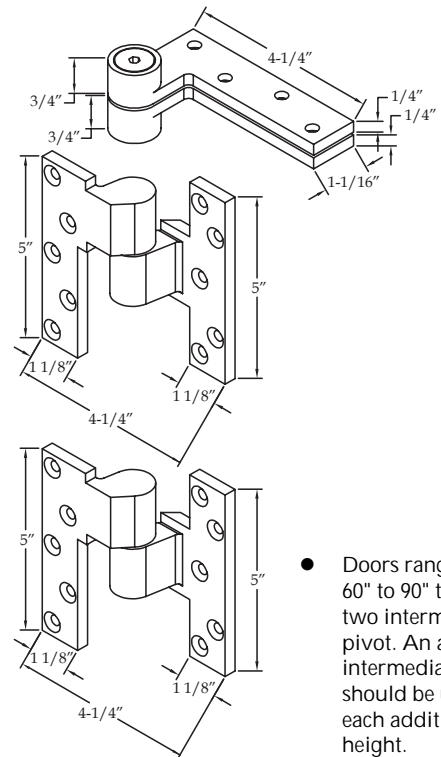
Standard Features

- 0180 Top Pivot
 - Frame leaf mortises into header
 - Door leaf mortises into top of door
- (2) 019 Intermediate Pivots
 - Frame leaves mortise into side jamb
 - Door leaves mortise into side of door
- Handed - Specify LH or RH
- For doors without bottom pivot or using floor closer
- Maximum door load - 300 pounds
- Maximum door width - 42"
- Heavy duty stainless steel needle bearings
- Stainless steel base material

Options

- EXTP - Extended Pin on top pivot (up to 3/4" longer than standard)
- SEC - Security fasteners

Meets or exceeds
ANSI C07162 (modified)



- Doors ranging from 60" to 90" tall have two intermediate pivot. An additional intermediate pivot should be used for each additional 30" in height.

0173 Pivot Set - 3/4" Offset

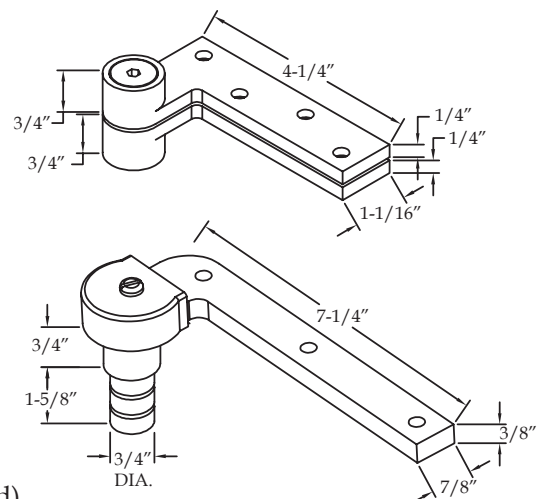
Standard Features

- 0180 Top Pivot
 - Frame leaf mortises into header
 - Door leaf mortises into top of door
- 0173 Bottom Pivot
 - Bottom leaf mortises into concrete floor
 - Door leaf mortises into bottom of door
- Handed - Specify LH or RH
- Maximum door load - 150 pounds
- Maximum door width - 36"
- Heavy duty bearings
- Stainless steel base material

Options

- EXTP - Extended Pin on top pivot (up to 3/4" longer than standard)
- SEC - Security fasteners
- B - Bottom pivot only (no top pivot)

Meets or exceeds
ANSI C07162/C07202



- 019 intermediate pivot recommended for all doors over 6'-8" (order separately)

