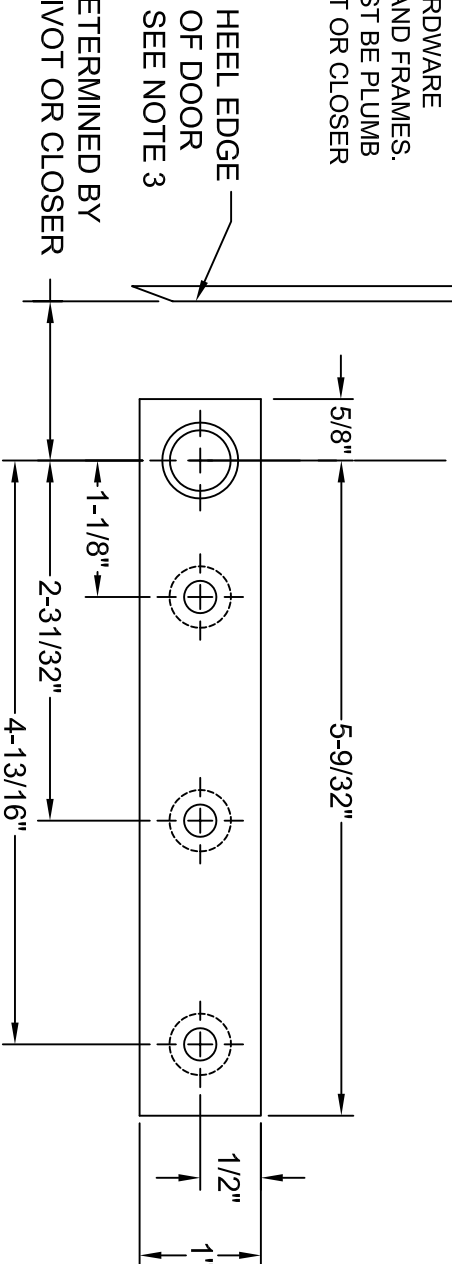
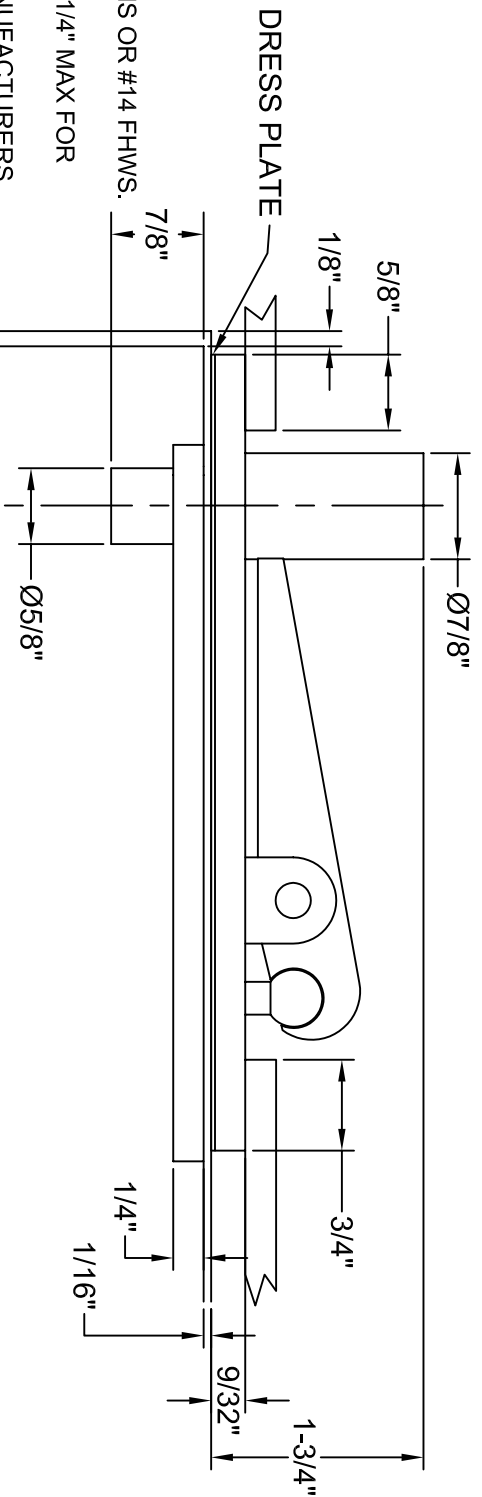
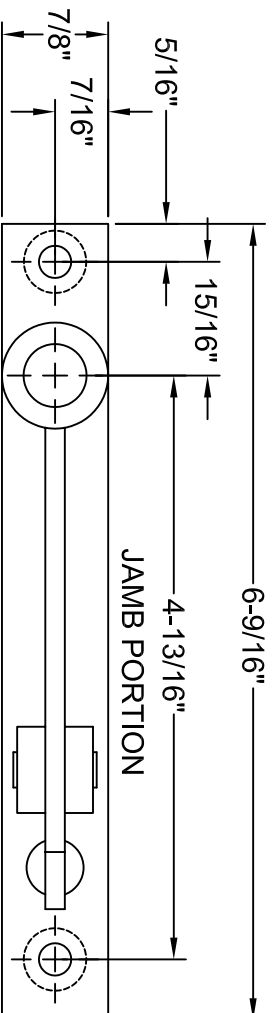


0320 CENTER HUNG TOP PIVOT



- NOTES:
1. PIVOTS DRILLED FOR 1/4-20 FHMS OR #14 FHWS.
 2. REINFORCING BY OTHERS.
 3. RADIUS HEEL EDGE OF DOOR 1-1/4" MAX FOR 1-3/8" - 2-1/2" THICK DOORS
 4. IT IS THE DOOR AND FRAME MANUFACTURERS RESPONSIBILITY TO CHECK THE HARDWARE SCHEDULE AND PREP THE DOORS AND FRAMES.
 5. CENTERLINE OF TOP PIVOT PIN MUST BE PLUMB AND STRAIGHT WITH BOTTOM PIVOT OR CLOSER SPINDLE.

HEEL EDGE OF DOOR SEE NOTE 3

TO BE DETERMINED BY BOTTOM PIVOT OR CLOSER

DO NOT SCALE DRAWING

www.abhmf.com
 E-mail: abhinfo@abhmf.com
 Architectural Builders Hardware Mfg., Inc.
 1222 Ardmore Ave., Itasca, IL 60143
 630.875.9900; FAX 800.9FAXABH (932.9224)

©2006 ABH Mfg., Inc.
 printed in USA

0320
 REVISED 05-01-06

0320-02.DWG

