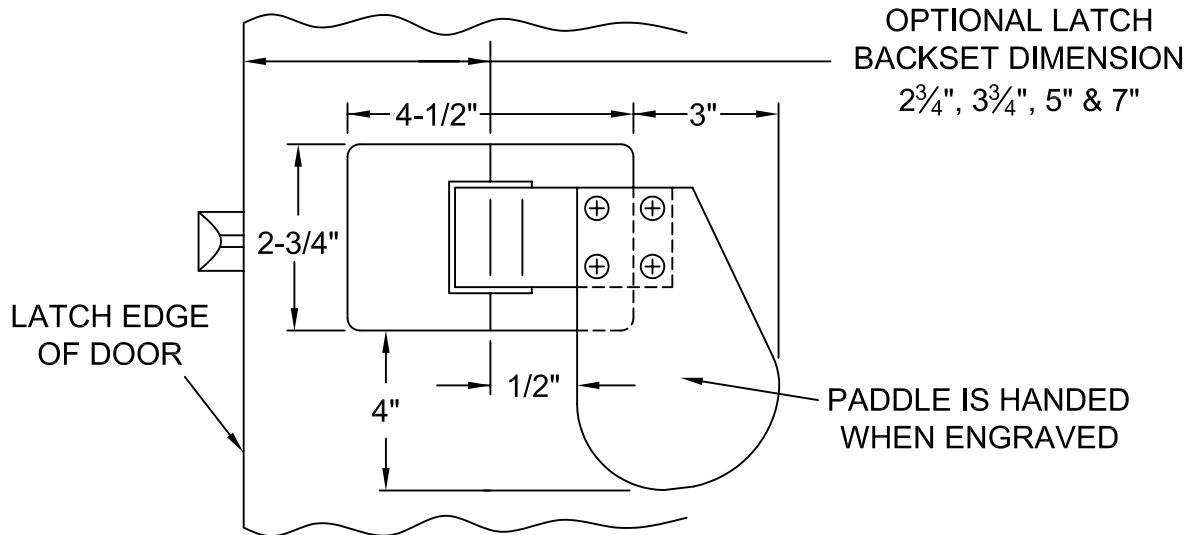
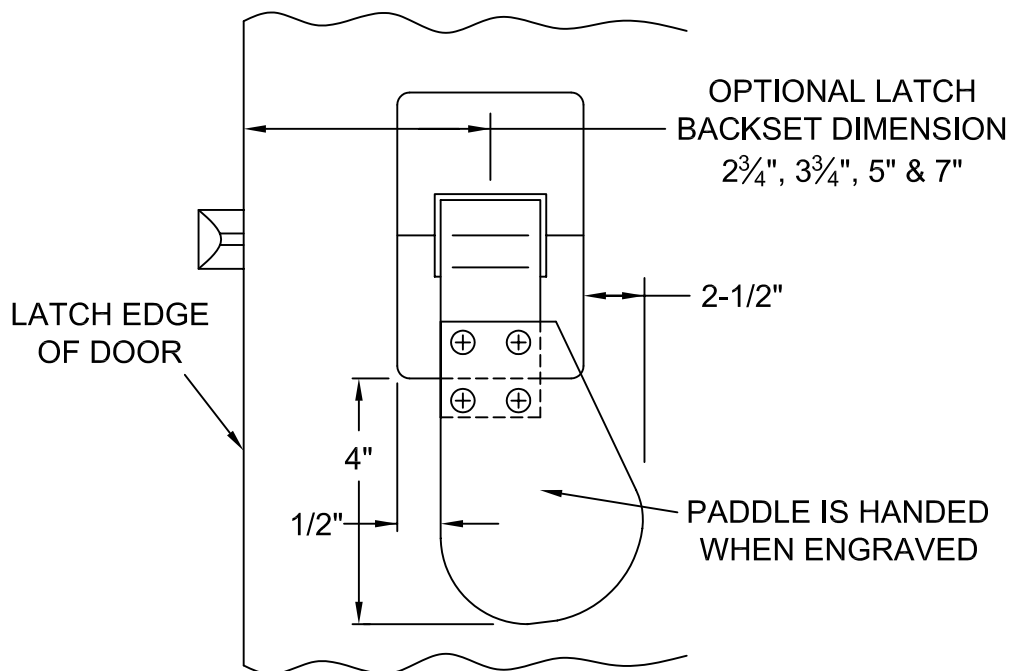


H6000, H6600, H6700 PUSH/PULL WITH HIP PADDLE



HORIZONTAL MOUNTING



VERTICAL MOUNTING

NOTE:
STANDARD 6000, 6600 OR 6700 INSTALLATION USED.
AFTER MOUNTING HANDLE ASSEMBLIES AND COVERS,
ATTACH HIP PADDLE TO PUSH SIDE HANDLE WITH (4) SCREWS.
PADDLE IS NON-HANDED UNLESS ENGRAVED.
DIMENSIONS ARE APPROXIMATE

PATENT No. 6,196,599 & 5,730,478

H6000-01.DWG



® www.abhmfg.com

E-mail: abhinfo@abhmfg.com

Architectural Builders Hardware Mfg., Inc.

1222 Ardmore Ave., Itasca, IL 60143

630.875.9900; FAX 800.9FAXABH (932.9224)

© 2006 ABH Mfg., Inc.
printed in USA

H6000

REVISED 01-12-06