

S20020 SPECIAL EXTENSION ORDER FORM

ORDER DATE: _____

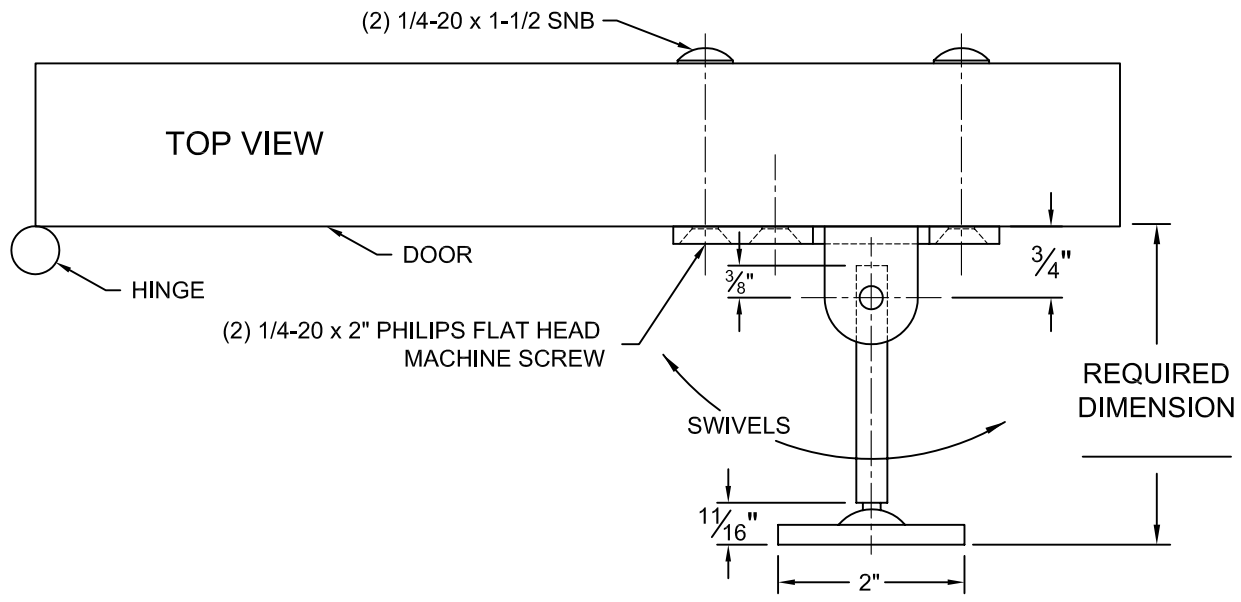
CUSTOMER NAME: _____

CUSTOMER P.O. No.: _____

ABH SALES ORDER No.: _____

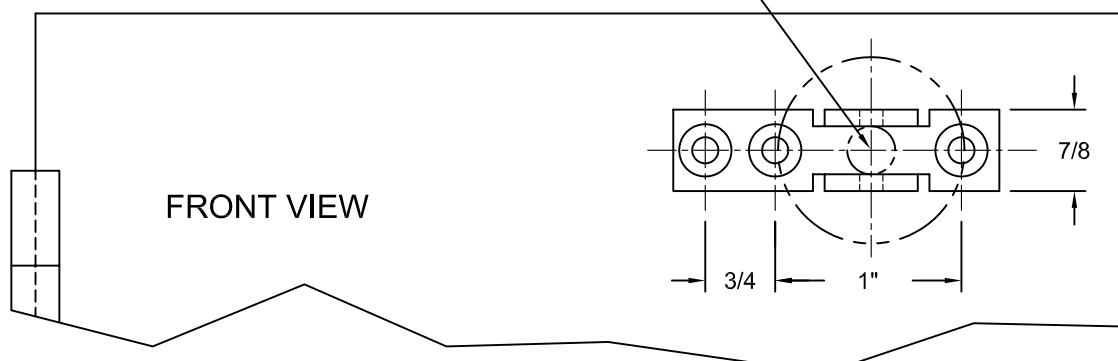
REQUIRED DIMENSION (SEE TOP VIEW): _____ QUANTITY _____

CUSTOMER SIGNATURE: _____ DATE: _____



**TO BE MOUNTED HORIZONTALLY
ON PULL SIDE OF DOOR**

CENTER LINES OF ARMATURE MUST LINE UP WITH
CENTER LINES OF MAGNET



FABRICATION NOTE: USE REQUIRED DIMENSION AND SUBTRACT BY 1-1/16
FOR OVERALL ROD LENGTH.



® www.abhmfg.com
E-mail: abhinfo@abhmfg.com
Architectural Builders Hardware Mfg., Inc.
1222 Ardmore Ave., Itasca, IL 60143
630.875.9900; FAX 800.9FAXABH (932.9224)

© 2007 ABH Mfg., Inc.
printed in USA

S20020 ORDER FORM-01.DWG

S20020

REVISED 05-08-07