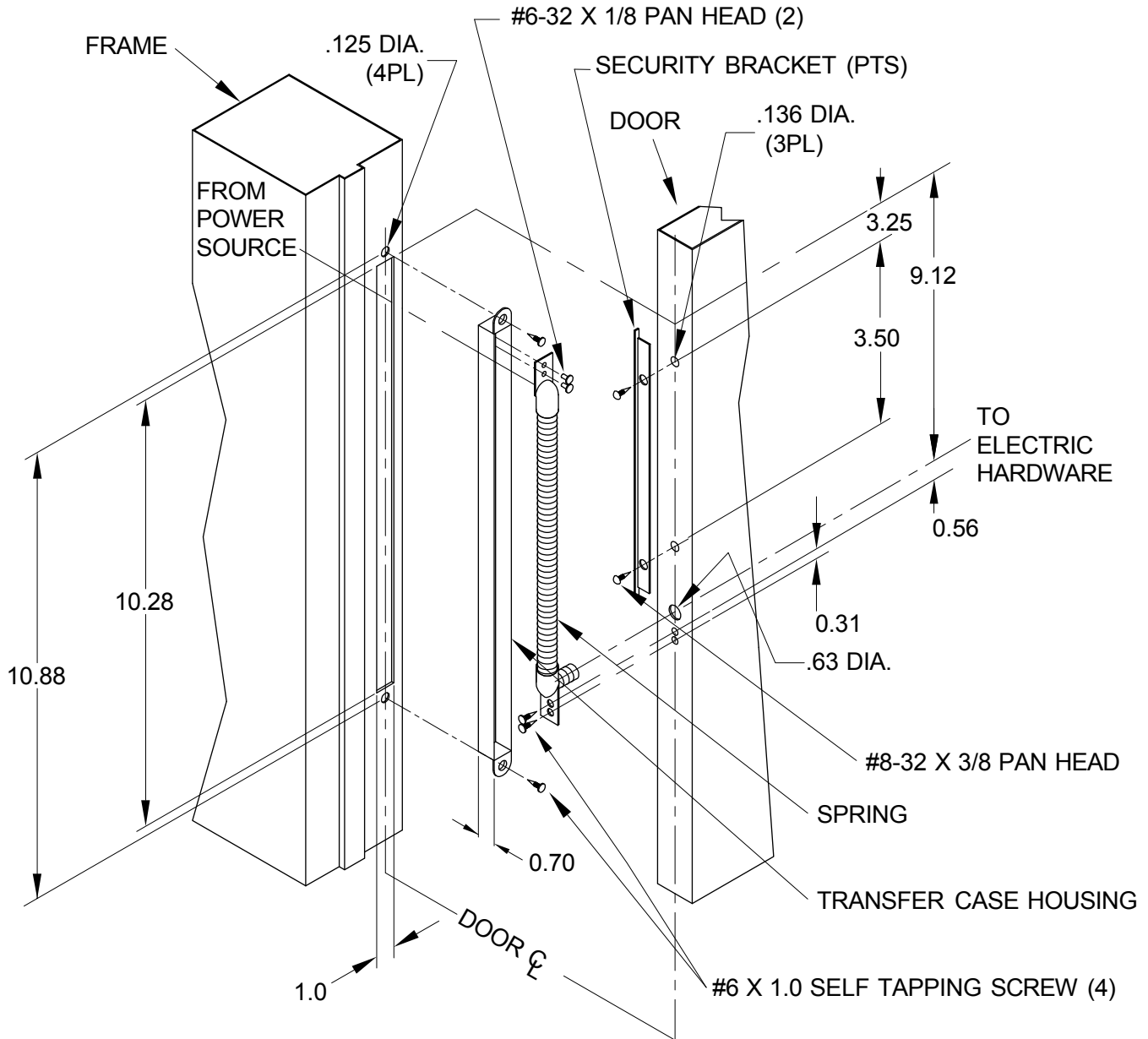


PTR105 INSTALLATION TEMPLATE

NOTES:

1. USE TRANSFER CASE HOUSING AS DRILLING TEMPLATE.
2. USE 22 GAUGE STRANDED WIRE ONLY.
3. USE CARE WHEN INSERTING WIRES THROUGH THIS DEVICE.
4. RECTANGULAR CUT-OUT IS 1 1/16" DEEP (MINIMUM) FOR WOOD FRAME.
5. WIRES SHOULD BE LABELED.
6. SIZE AND NUMBER OF WIRES MUST COMPLY WITH THE NATIONAL ELECTRICAL CODE, NFPA, AND LOCAL ELECTRICAL CODES.
7. THIS DEVICE IS FOR LOW VOLTAGE USE ONLY. (30 VAC, 42.5 VDC, 10 WATTS MAX.)



www.abhmfg.com
 E-mail: abhinfo@abhmfg.com
 Architectural Builders Hardware Mfg., Inc.
 1222 Ardmore Ave., Itasca, IL 60143
 630.875.9900; FAX 800.9FAXABH (932.9224)

© 2010 ABH Mfg., Inc.
 printed in USA

PTR105 TEMPLATE-01.DWG

PTR105
 REVISED 02-03-10