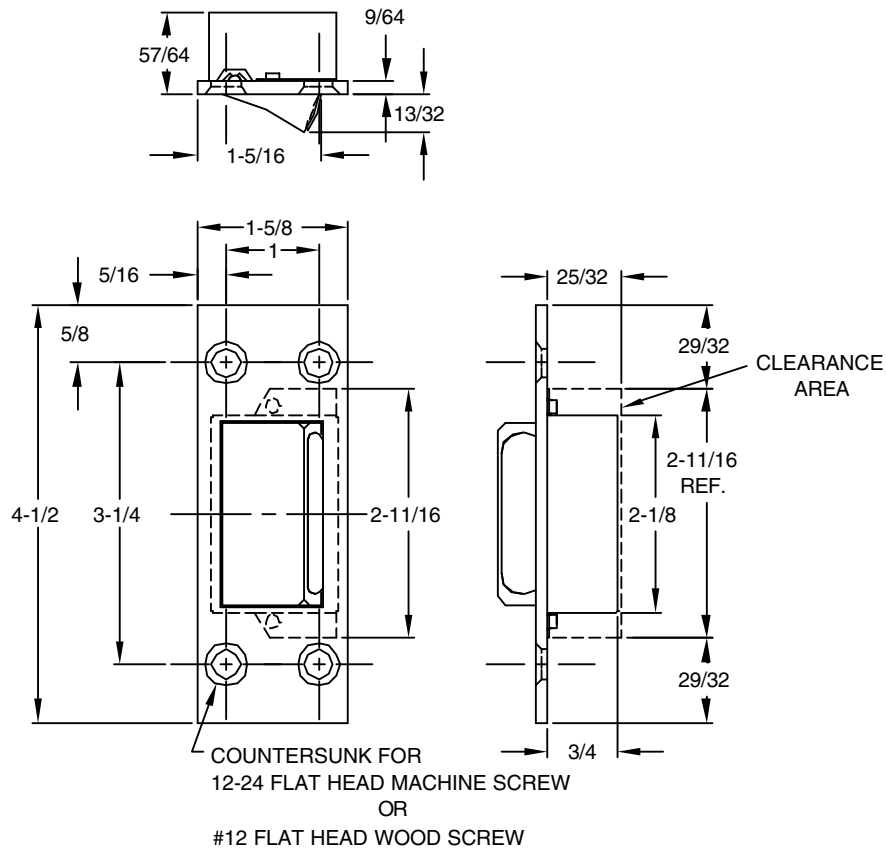


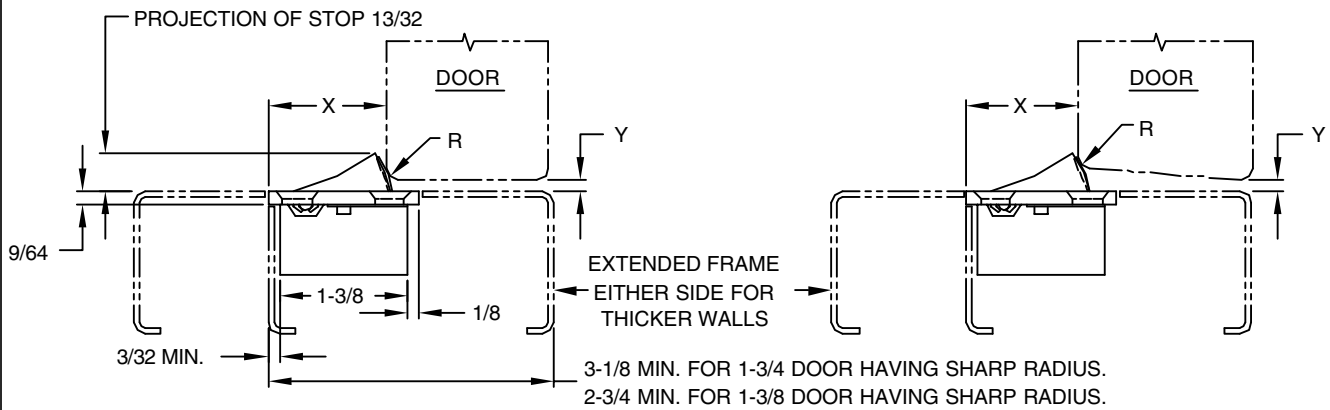
- For Converting a double acting center hung door to single acting
- Allows door to swing open in opposite direction if a hospital or nursing home patient falls and obstructs the normal swing of the door
- Meets ANSI Spec A1882
- Stainless steel, US32D standard
- Pushing in on the spring loaded stop allows emergency operation of the door. Stop automatically returns to normal position when released
- Specification:
 - Surface plate – 4-1/2” height X 1-5/8” width X 9/64” thick
 - Bolt height – 2”
 - Bolt projection – 13/32”
 - Bolt case – 2-1/8 height X 15/16” width X 3/4” deep
- Mounting
 - 12-24 flat head machine screws or #12 flat head wood screws
- Refer to template for proper installation and door clearance.

4590 RESCUE STOP



DOOR WITH SQUARE STILE

DOOR WITH BEVELED STILE



NOTES:

1. SUGGESTED LOCATION 6" TO 10" ABOVE LATCH.
2. USED WITH CENTER HUNG DOOR PIVOT.

DO NOT SCALE