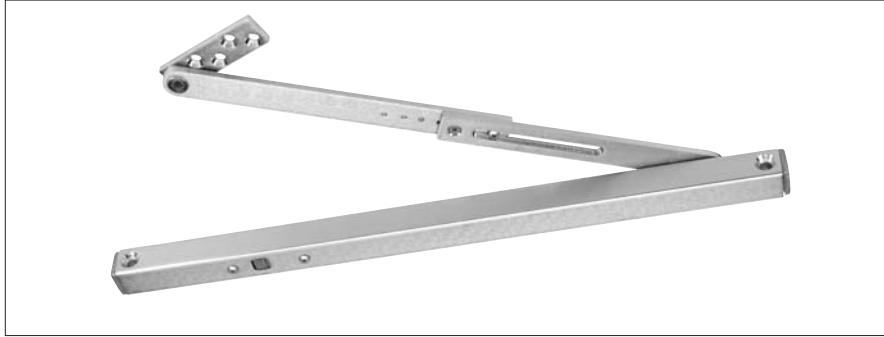


**Heavy-duty overhead door holder and stop  
for exterior, vestibule or interior doors,  
single acting**

**9000 ADJ SERIES  
SURFACE MOUNTED**



Patent No. 5,381,628

**STANDARD FEATURES**

- For all Stainless Steel Components - Prefix N
- Non-handed/reversible
- Single point hold-open is adjustable from 85° to 110°
- Hold-open knob can be disengaged to act as a stop only
- 5° to 7° shock compression following hold-open point
- Steel shock absorbing spring
- Die cast end block and shock block
- Maximum opening 110°, minimum door thickness 1 3/4"
- Wood, machine screws and sex bolts included
- Available in all BHMA plated and sprayed finishes

**All Stops  
Warnock Hersey  
listed**

**WHEN ORDERING,  
please list:**

*Model number*

*Door closer number or other  
hardware*

*Mounting means of the door  
and butt size*

*Hold-open or dead-stop  
degree*

*Door opening and thickness*

*Finish*

**SPECIFICATIONS:**

**Stop only function to be  
Warnock Hersey listed as  
manufactured by ABH.**

*Material:  
brass/steel/stainless steel;  
channel 3/32" thick and 1 1/8"  
depth; arm 1/4" thick and 1"  
wide; jamb bracket 1/4" thick  
and 1" wide; sliding block  
shall have easy access for  
tension adjustment.  
Hold-open mechanism can be  
disengaged to function as  
stop only; with field adjustable  
degree hold-open or stop.*

DOOR FRAME OPENING	HOLDER NUMBER		
	BUTTS OFFSET PIVOTS	HOLD- OPEN	STOP
28" - 31 15/16"	9011A	9021A	9031A
32" - 39 15/16"	9012A	9022A	9032A
40" - 43 15/16"	9013A	9023A	9033A
44" + Greater	9014A	9024A	9034A

Contact ABH for special templating or other door opening  
Average weight/unit 6 lbs.

**www.abhmfg.com**  
**E-mail: abhinfo@abhmfg.com**  
**Architectural Builders Hardware Mfg., Inc.**  
1222 Ardmore Ave., Itasca, IL 60143  
**630.875.9900; FAX 800.9FAXABH (932.9224)**

© 2007 ABH Mfg., Inc.  
Printed in USA 04/07

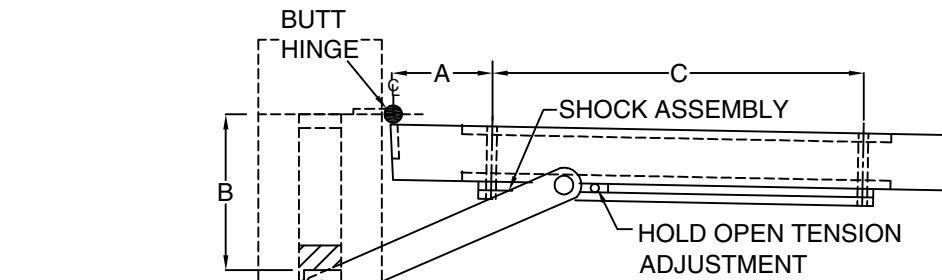


REVERSIBLE

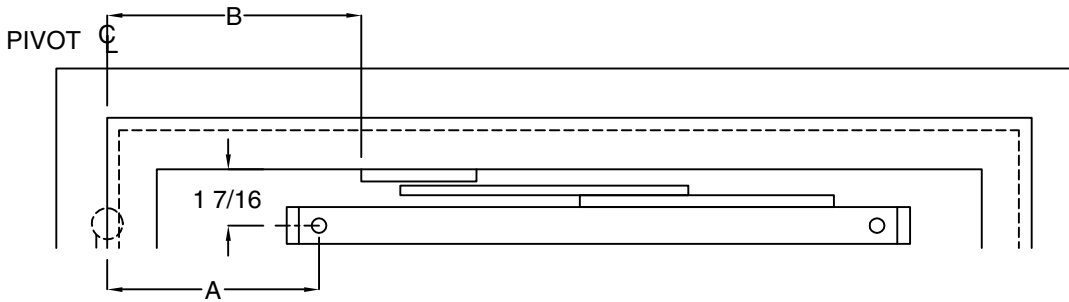
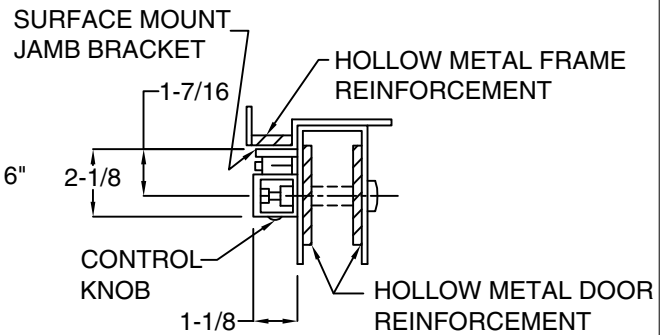
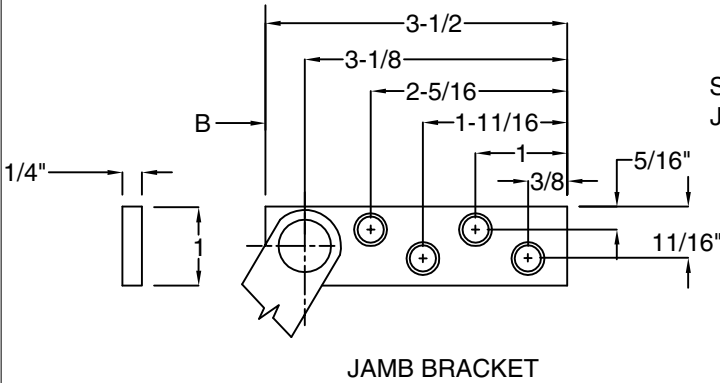
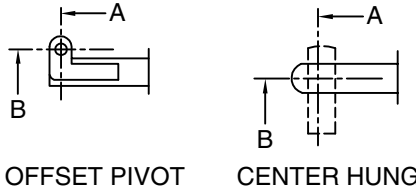
# 9000 ADJ SERIES HOLDERS & STOPS

FOR SINGLE ACTING DOORS ONLY

NON - HANDED



NOTE: ALL A & B DIMENSIONS MEASURED FROM CL OF PIVOT.



NOTE: A, B, & C DIMENSIONS MEASURED AS SHOWN

SCREW DETAIL			
	QTY	WOOD	METAL
JAMB	4	#14 X 1-1/2" F.H.W.S.	1/4-20 X 3/4" F.H.W.S.
DOOR	2	5/16 18 R.D.H.M.S. 1/2" DIA. SEX BOLT	5/16-18 RD.H.M.S. 1/2" DIA. SEX BOLT

ALWAYS REQUEST LATEST TEMPLATE DRAWINGS FOR NEW INSTALLATIONS

DO NOT SCALE DRAWINGS  
ALL DIMENSIONS ARE IN INCHES

**www.abhmfg.com**  
**E-mail: abhinfo@abhmfg.com**  
**Architectural Builders Hardware Mfg., Inc.**  
 1222 Ardmore Ave., Itasca, IL 60143  
**630.875.9900; FAX 800.9FAXABH (932.9224)**

© 2005 ABH Mfg., Inc.  
Printed in USA 02/05

