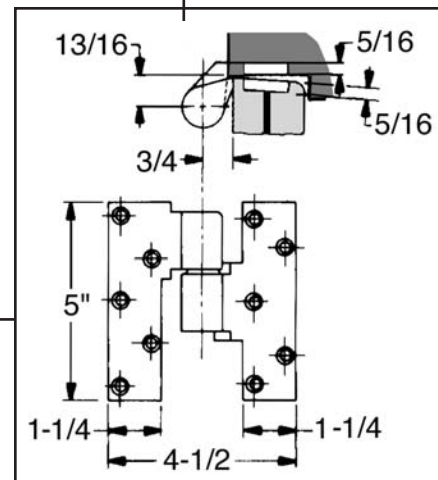
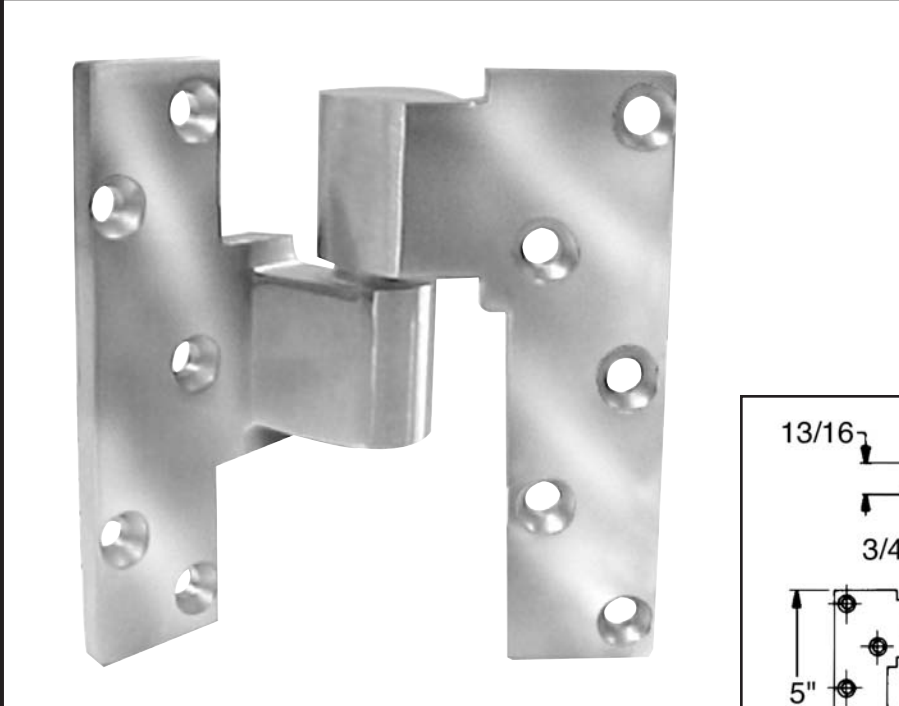


# L019 Intermediate Pivot for Lead Lined Doors



## Standard Options

- Intermediate Pivot
- For 1-3/4" lead lined door
- 3/4" offset, handed
- Full mortise
- Needle bearing supplied standard
- US32D models <sup>us</sup>UL<sub>c</sub> listed for use on labeled doors
- BHMA/ANSI C07311