

# HOLD BACK CONVERSION FOR COMBO RESCUE STOP FOR MODELS CR4550, CR4560, CR4570, CR4580

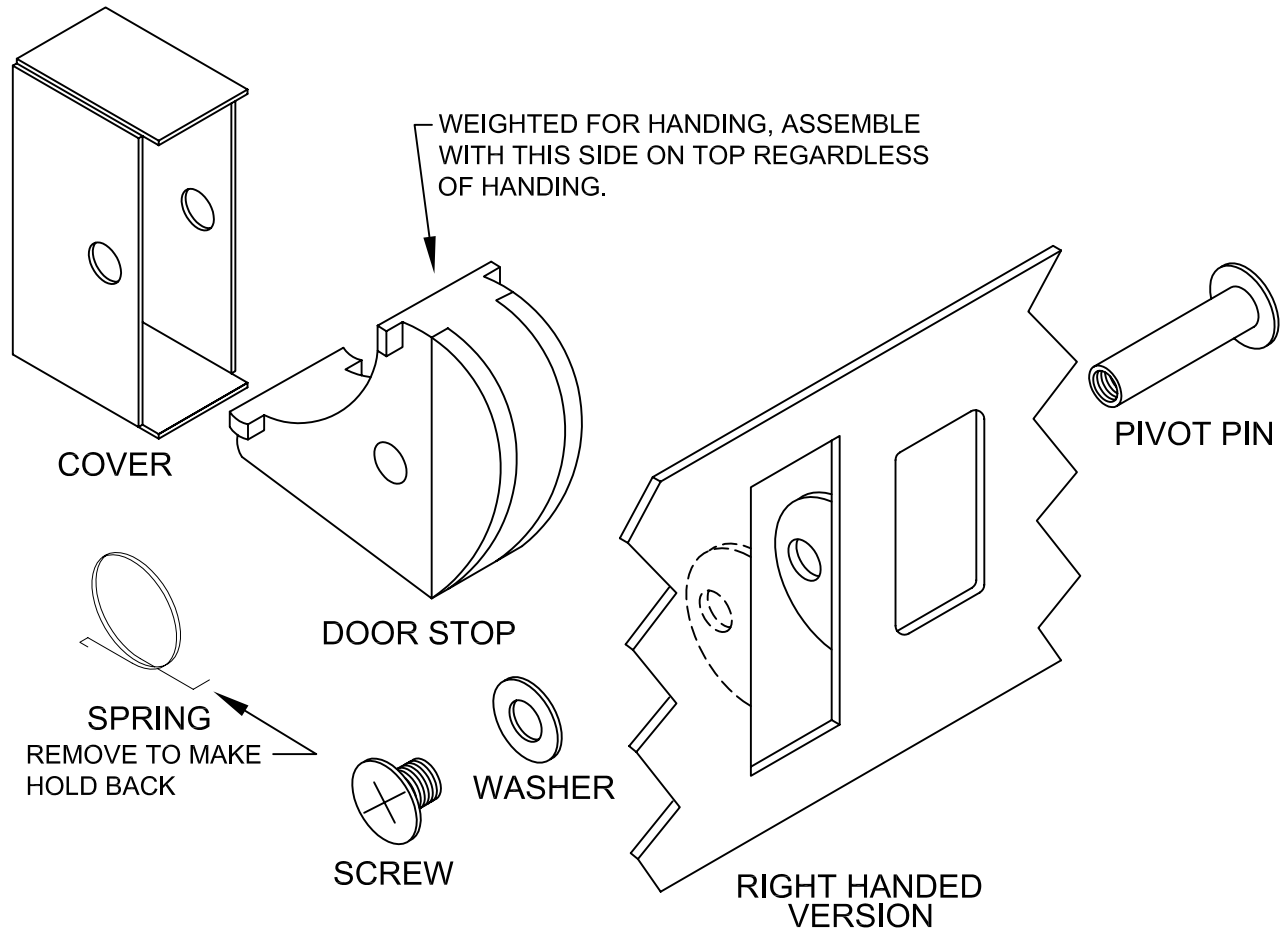
HOLD BACK CONVERSION IS ACCOMPLISHED BY REMOVING THE SPRING THAT ACTIVATES THE DOOR STOP INSIDE THE COVER.

## DISASSEMBLE

1. REMOVE SCREW & PIVOT PIN. THIS IS WHAT HOLDS THE DOOR STOP COVER ON. WHEN THE PIN IS REMOVED THE ENTIRE ASSEMBLY COMES APART.
3. REMOVE THE SPRING.

## ASSEMBLE

1. BEFORE ASSEMBLING THE RESCUE STOP TOGETHER, NOTE DOOR HANDING. THE DOOR STOP WORKS BY GRAVITY AND BECOMES HANDED WHEN THE SPRING IS REMOVED.
2. WHEN THE HANDING IS KNOWN KEEP THIS IN MIND WHEN INSTALLING THE DOOR STOP. STOP **HAS** TO BE INSTALLED AS SHOWN FOR BOTH TYPE OF HANDINGS.



® [www.abhmfg.com](http://www.abhmfg.com)  
E-mail: [abhinfo@abhmfg.com](mailto:abhinfo@abhmfg.com)  
Architectural Builders Hardware Mfg., Inc.  
1222 Ardmore Ave., Itasca, IL 60143  
630.875.9900; FAX 800.9FAXABH (932.9224)

© 2007 ABH Mfg., Inc.  
printed in USA

HOLD BACK CONVERSION-01.DWG

## HOLD BACK CONVERSION

REVISED 10-26-07