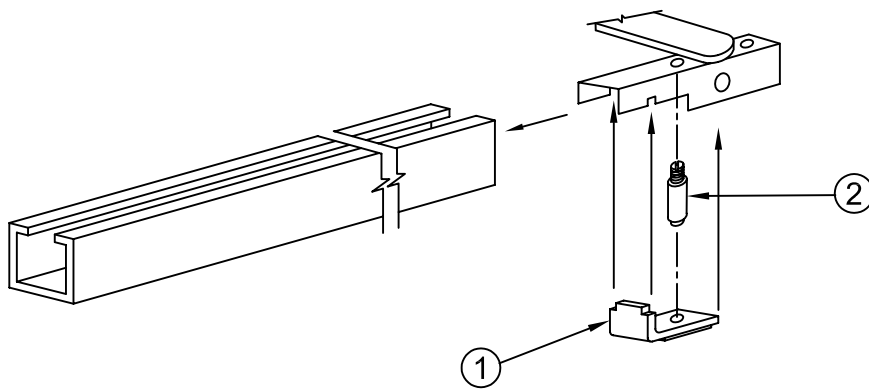


## FRICTION CONVERSION PART LIST FOR ALL MODELS

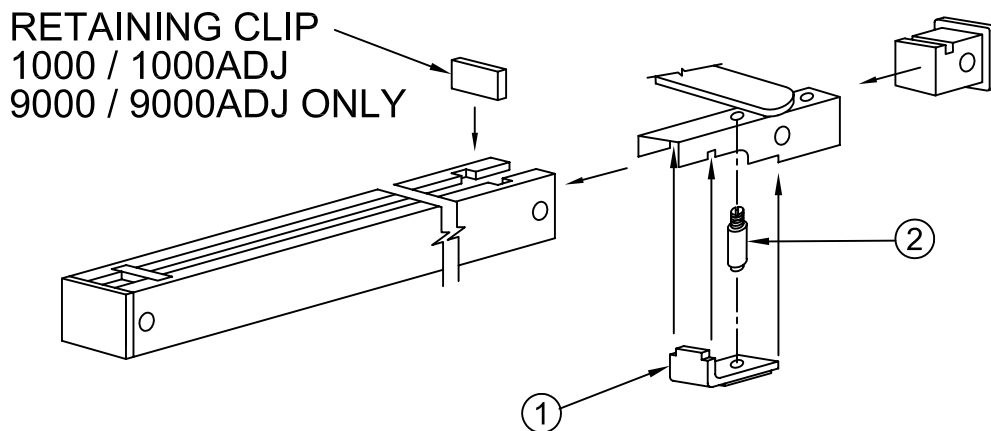
ITEM	QTY	DESCRIPTION
1	1	FRICTION ADJUSTMENT SCREW
2	1	FRICTION ADJUSTMENT ASSEMBLY

### 4000 FRICTION CONVERSION DRILL OUT EYELET FROM CHANNEL FROM NON-SPRING END



INSTALLED UNITS MUST BE REMOVED FROM DOOR

### 1000 / 1000ADJ / 3300ADJ / 4400 / 9000 / 9000ADJ FRICTION CONVERSION TO DISASSEMBLE REMOVE RETAINING CLIP AND END PLUG FROM NON-SPRING END ONLY



INSTALLED UNITS MUST BE REMOVED FROM DOOR



[www.abhmfg.com](http://www.abhmfg.com)  
 E-mail: [abhinfo@abhmfg.com](mailto:abhinfo@abhmfg.com)  
 Architectural Builders Hardware Mfg., Inc.  
 1222 Ardmore Ave., Itasca, IL 60143  
 630.875.9900; FAX 800.9FAXABH (932.9224)

1000 / 1000ADJ / 3300ADJ / 4000  
 4400 / 9000 / 9000ADJ  
**FRICTION KIT**

© 2007 ABH Mfg., Inc.  
 printed in USA

REVISED 05-04-07

FRICTION CONVERSION-01.DWG