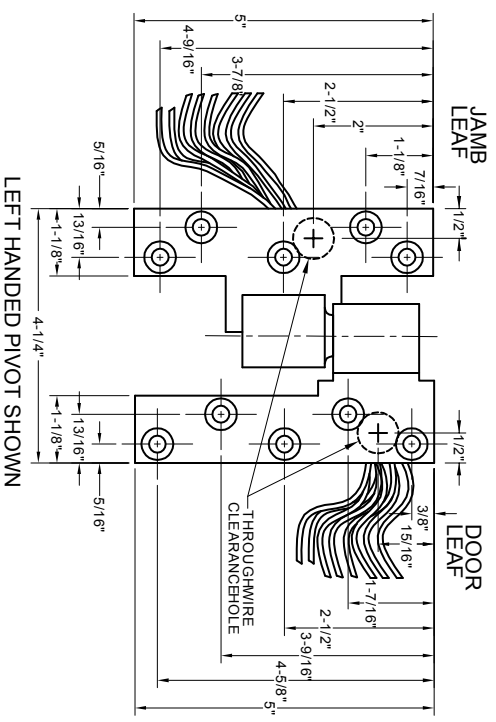
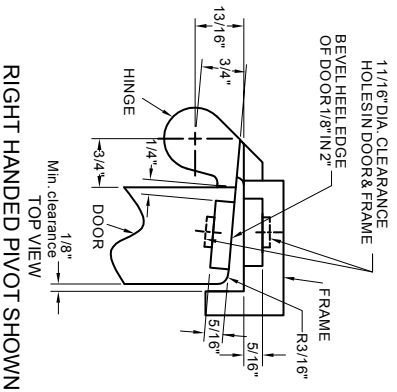
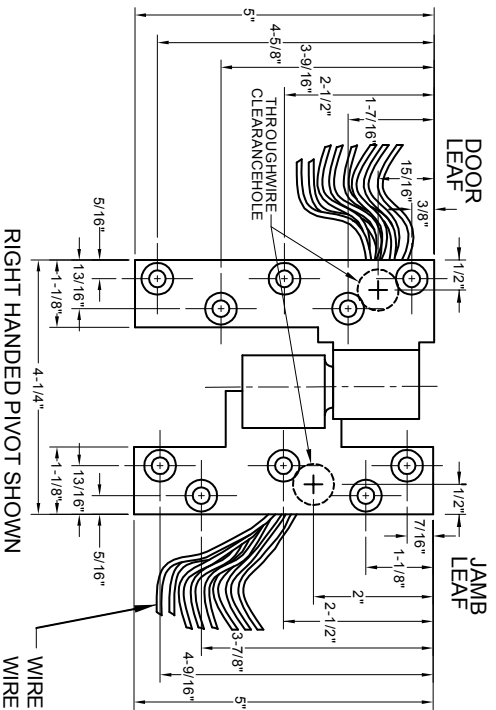
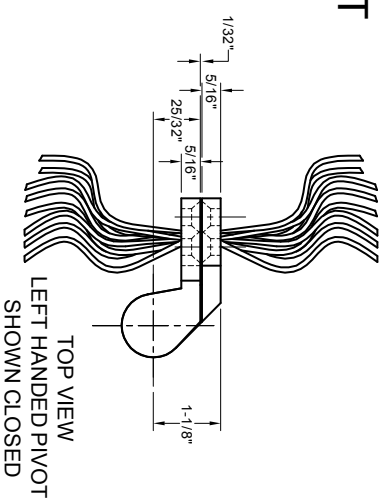
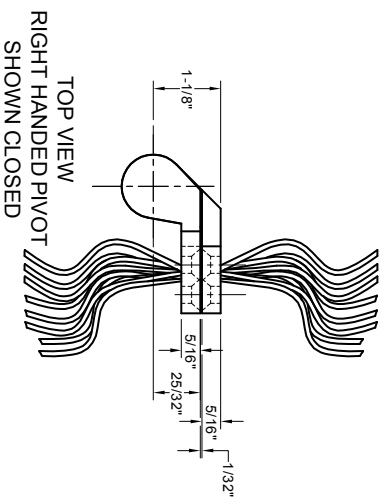


# E019 SIDE JAMB PIVOT 3/4" OFFSET HANDED



WIRE NOTE:  
WIRE LENGTHS ARE 7" LONG ON EACH SIDE.

E019-2 WIRE - 18 GAUGE, COLORS BLACK AND WHITE.

E019-8 WIRE - 28 GAUGE, COLORS RED, BLUE, GREEN, ORANGE, VIOLET, GRAY, BROWN & YELLOW.

- NOTES:
1. DO NOT SCALE DRAWING.
  2. DIMENSIONS ARE GIVEN IN INCHES.
  3. PIVOT DRILLED FOR 1/4-20 X 5/8" FHMS OR #14 X 1-1/2" FHWS.



[www.abhmf.com](http://www.abhmf.com)

E-mail: [abhinfo@abhmf.com](mailto:abhinfo@abhmf.com)

Architectural Builders Hardware Mfg., Inc.

1222 Ardmore Ave., Itasca, IL 60143

630.875.9900; FAX 800.9FAXABH (932.9224)

©2009 ABH Mfg., Inc.  
printed in USA

E019-1-06.DWG

E019

REVISED 12-22-09