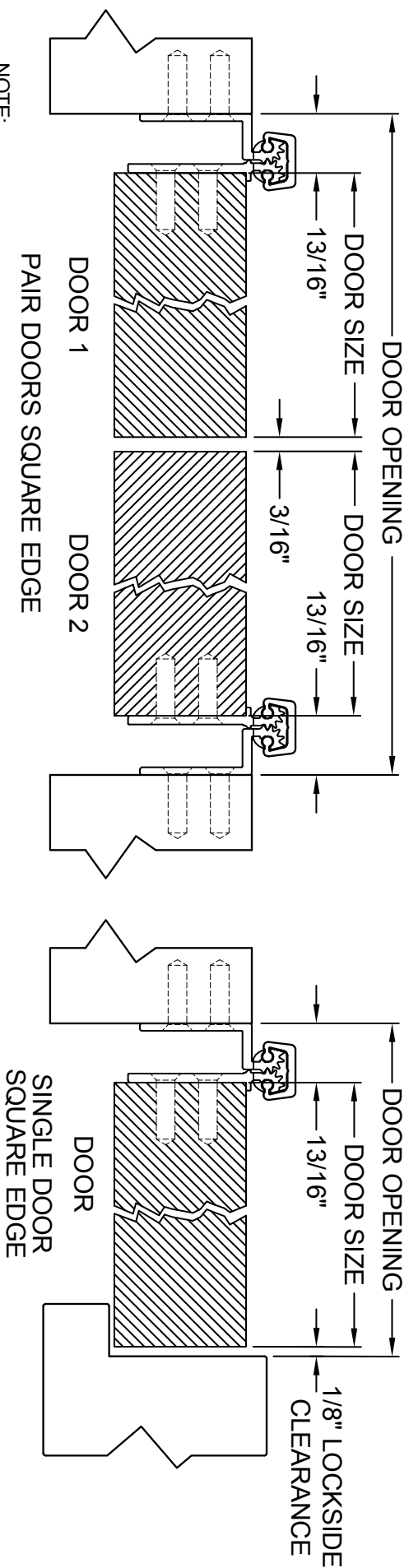
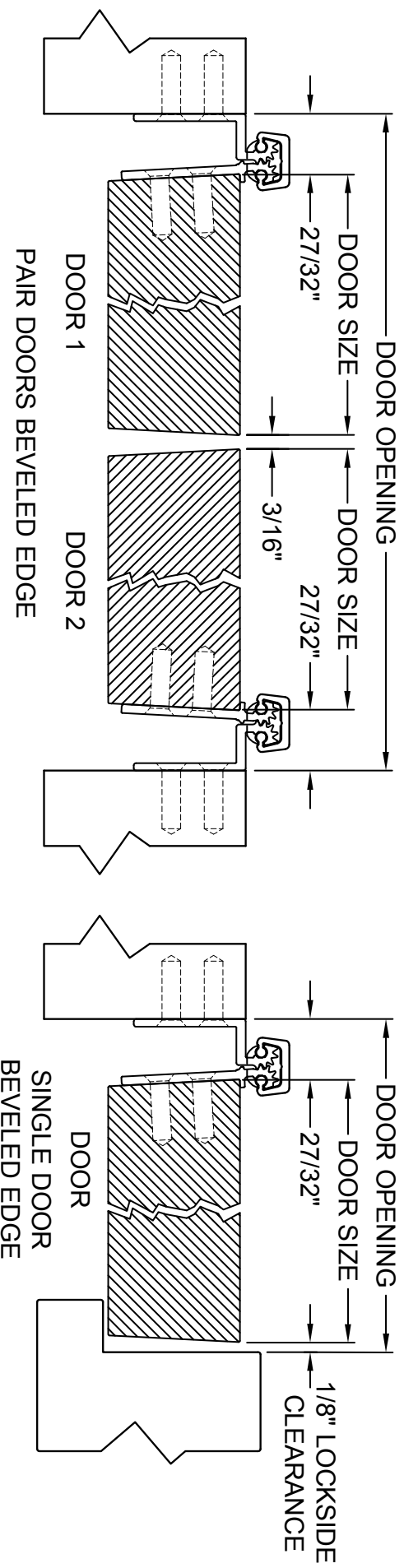


# DOOR CLEARANCES FOR SAFETY GEAR HINGES



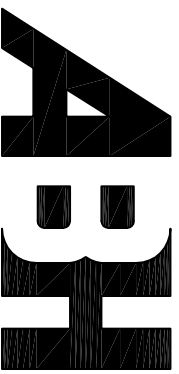
**NOTE:**

FOR DOUBLE DOOR ENTRANCES WITH A MULLION **BETWEEN** THE PAIR OF DOORS, CALCULATE EACH DOOR WIDTH USING THE SINGLE DOOR CLEARANCES.

FOR DOUBLE DOOR ENTRANCES WITH A MULLION **BEHIND** THE PAIR OF DOORS, CALCULATE EACH DOOR WIDTH USING THE DOUBLE DOOR CLEARANCES.

**TO DETERMINE DOOR WIDTH  
SUBTRACT THE TOTAL WIDTH  
CLEARANCE FROM THE WIDTH  
OF THE FRAME OPENING.**

DOOR CLEARANCE SAFETY HINGE A130-001DWG



® [www.abhmf.com](http://www.abhmf.com)

E-mail: [abhinfo@abhmf.com](mailto:abhinfo@abhmf.com)

Architectural Builders Hardware Mfg., Inc.

1222 Ardmore Ave., Itasca, IL 60143

630.875.9900; FAX 800.9FAXABH (932.9224)

© 2009 ABH Mfg., Inc.  
printed in USA

**A130**

ISSUED 08-12-09