

# CUSTOM DOUBLE LIPPED RESCUE STOP ORDER FORM

ORDER DATE: \_\_\_\_\_

CUSTOMER NAME: \_\_\_\_\_

CUSTOMER P.O. No.: \_\_\_\_\_

ABH SALES ORDER No.: \_\_\_\_\_

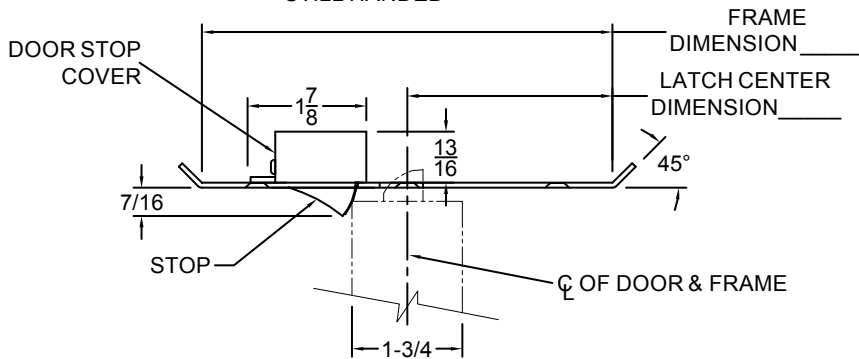
MATERIAL: \_\_\_\_\_ QUANTITY: \_\_\_\_\_

CUSTOMER SIGNATURE: \_\_\_\_\_ DATE: \_\_\_\_\_

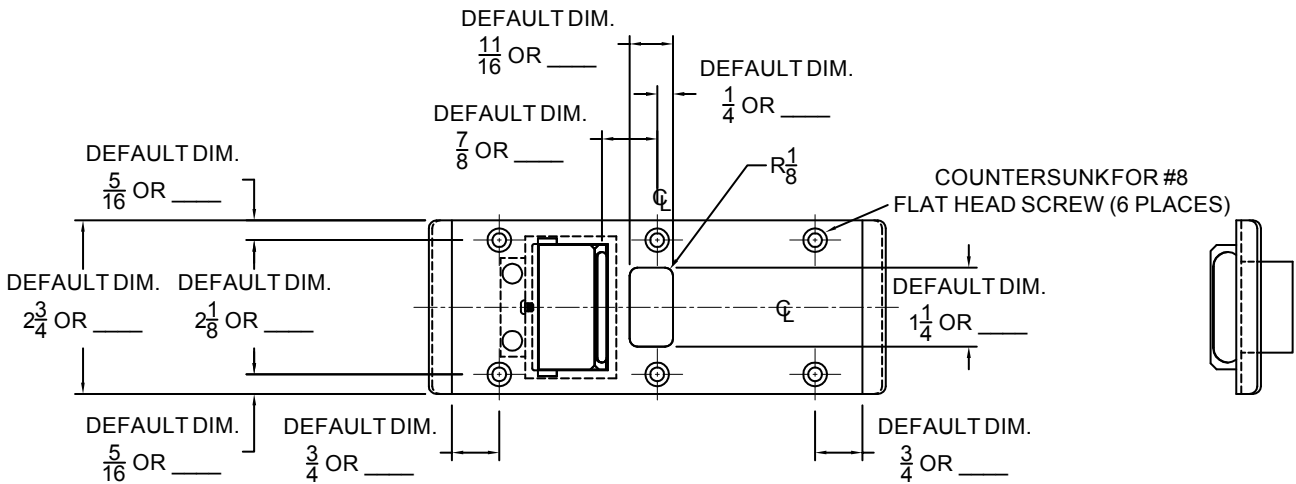
**NOTE: ALL CUSTOM RESCUE STRIKES ARE NONRETURNABLE.**

## CUSTOM DOUBLE LIPPED RESCUE STOP FOR 1-3/4 THICK CENTER HUNG DOOR

STOP IS SPRING LOADED  
MAKING PART NON-HANDED  
BUT INSTALLATION IS  
STILL HANDED



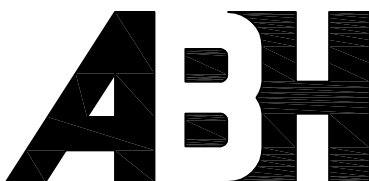
**TOP VIEW**



**FRONT VIEW**

**SIDE VIEW**

- NOTE:
1. FRAME REINFORCEMENTSUPPLIED BY OTHERS.
  2. FOR CUSTOM OPTION DIMENSION NOT SHOWN CONSULT FACTORY.



[www.abhmfg.com](http://www.abhmfg.com)

E-mail: [abhinfo@abhmfg.com](mailto:abhinfo@abhmfg.com)  
 Architectural Builders Hardware Mfg., Inc.  
 1222 Ardmore Ave., Itasca, IL 60143  
 630.875.9900; FAX 800.9FAXABH (932.9224)

CUSTOM CR4590 DOUBLE LIPPED RESCUE  
STOP CENTER HUNG ORDER FORM

© 2009 ABH Mfg., Inc.  
printed in USA

REVISED 05-26-09