

CUSTOM DOUBLE LIPPED RESCUE STOP ORDER FORM

ORDER DATE: _____

CUSTOMER NAME: _____

CUSTOMER P.O. No.: _____

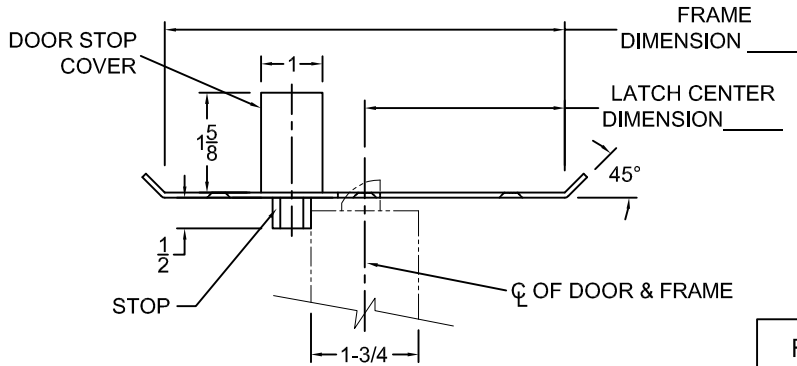
ABH SALES ORDER No.: _____

MATERIAL: _____ QUANTITY: _____

CUSTOMER SIGNATURE: _____ DATE: _____

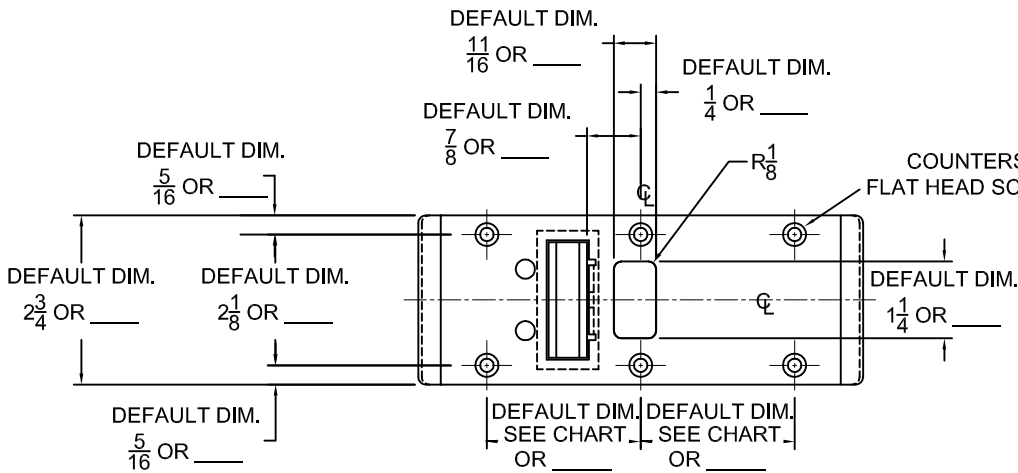
NOTE: CUSTOM RESCUE STRIKES ARE NON-RETURNABLE

**CUSTOM DOUBLE LIPPED RESCUE STOP
FOR 1-3/4 THICK CENTER HUNG DOOR
STOP IS SPRING LOADED, MAKING PART NON-HANDED
BUT INSTALLATION IS STILL HANDED**

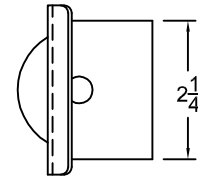


TOP VIEW

FRAME WIDTH	DEFAULT DIMENSION
4 1/2" - 5 3/4"	1-7/8"
5 13/16" - 7 3/4"	2-3/8"
7 13/16" - 9 3/4"	2-7/8"
9 13/16" - 12"	3-3/8"
12 1/16"+	3-7/8"



FRONT VIEW



SIDE VIEW

- NOTE:
1. FRAME REINFORCEMENT SUPPLIED BY OTHERS.
2. FOR CUSTOM OPTION DIMENSION NOT SHOWN CONSULT FACTORY.



® www.abhmfg.com
E-mail: abhinfo@abhmfg.com
Architectural Builders Hardware Mfg., Inc.
1222 Ardmore Ave., Itasca, IL 60143
630.875.9900; FAX 800.9FAXABH (932.9224)

CUSTOM CR4500 CENTER HUNG ORDER FORM-01.DWG

CUSTOM CR4500 DOUBLE LIPPED RESCUE
STOP CENTER HUNG ORDER FORM

©2012 ABH Mfg., Inc.
printed in USA

REVISED 1/20/12