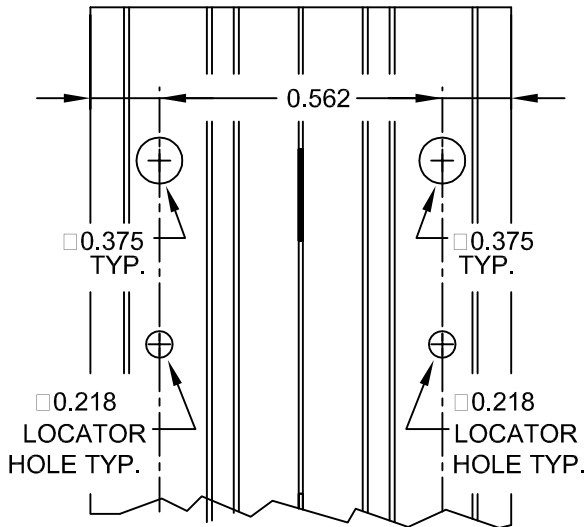
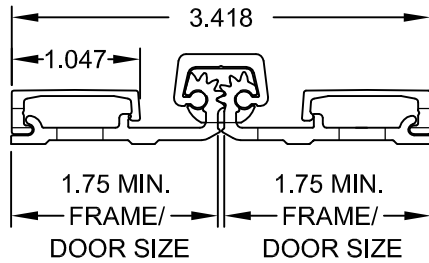
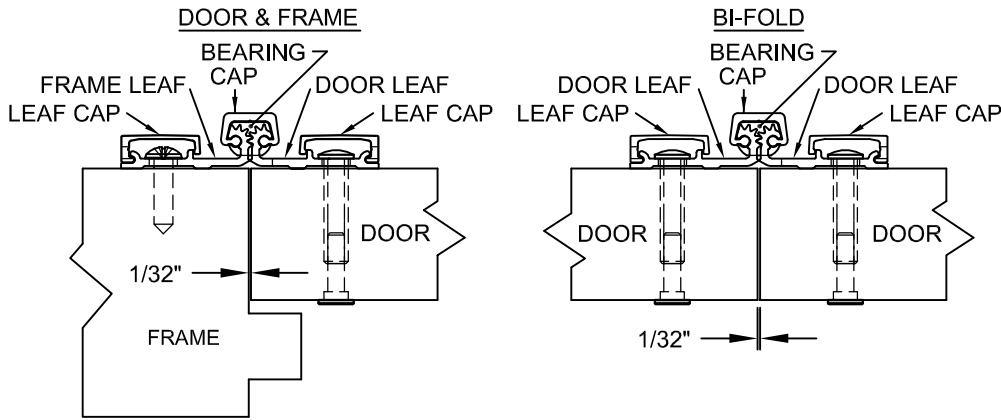
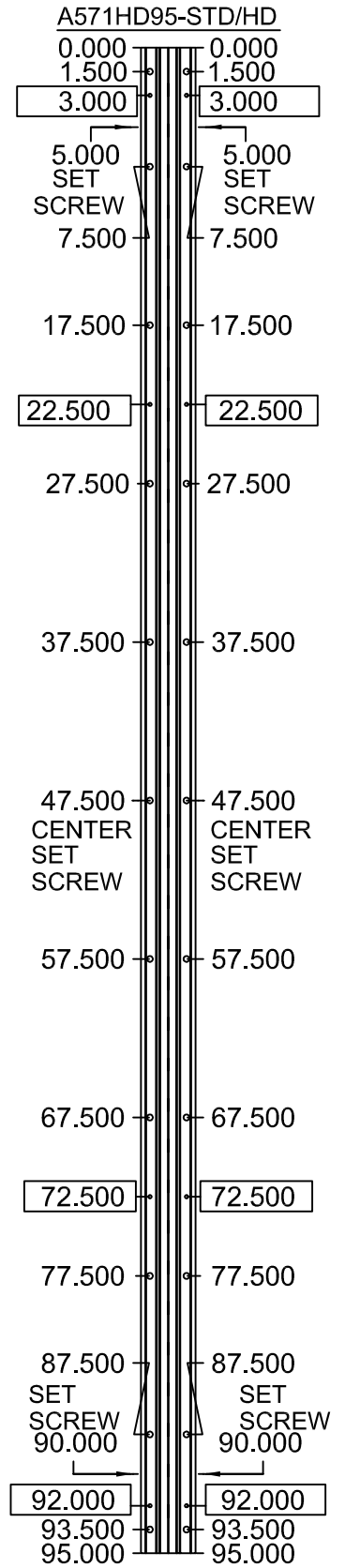


# 95" LONG



SCREW DETAIL		
	QTY.	DESCRIPTION
FRAME TO DOOR	FRAME	15 12-24 X 7/8" PH. PAN HEAD SELF DRILLING THREAD FORMING TEK SCREW
	DOOR	11 1/4-20 X 1-9/16L, X 3/8 DIA. SEX-BOLT & 1/4-20 X 1" PH. HEAD SHOULDER SCREW
DOOR TO DOOR	DOOR #1	4 12-24 X 7/8" PH.PN. HD. SELF DRILLING TEK SCW. (LOCATOR HOLE)
		11 1/4-20 X 1-9/16L, X 3/8 DIA. SEX-BOLT & 1/4-20 X 1" PH. HEAD SHOULDER SCREW
	DOOR #2	4 12-24 X 7/8" PH.PN. HD. SELF DRILLING TEK SCW. (LOCATOR HOLE)
		11 1/4-20 X 1-9/16L, X 3/8 DIA. SEX-BOLT & 1/4-20 X 1" PH. HEAD SHOULDER SCREW



ALL DIMS ARE TO CENTERLINE OF HOLES  
 [XX.XXX] DENOTES LOCATOR HOLE