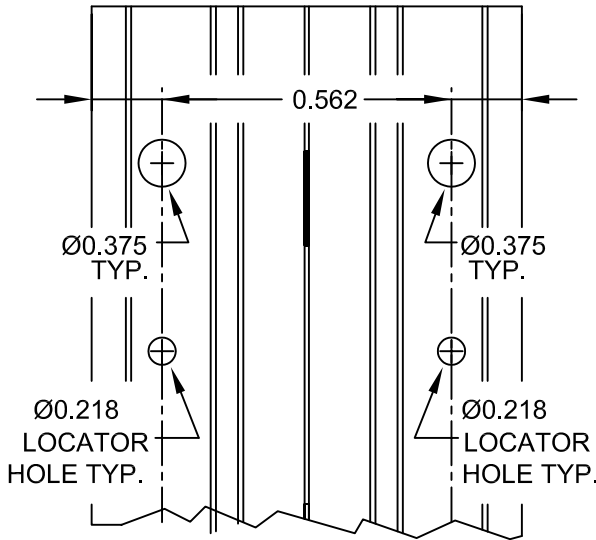
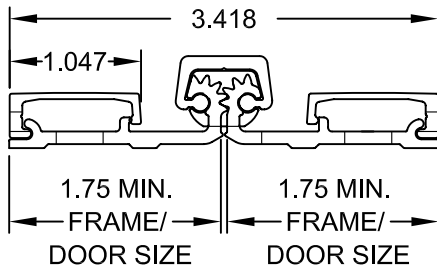
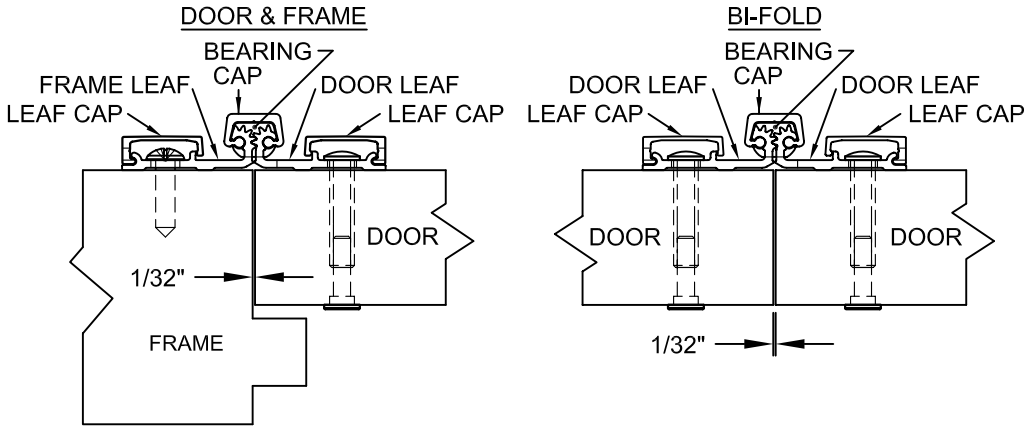
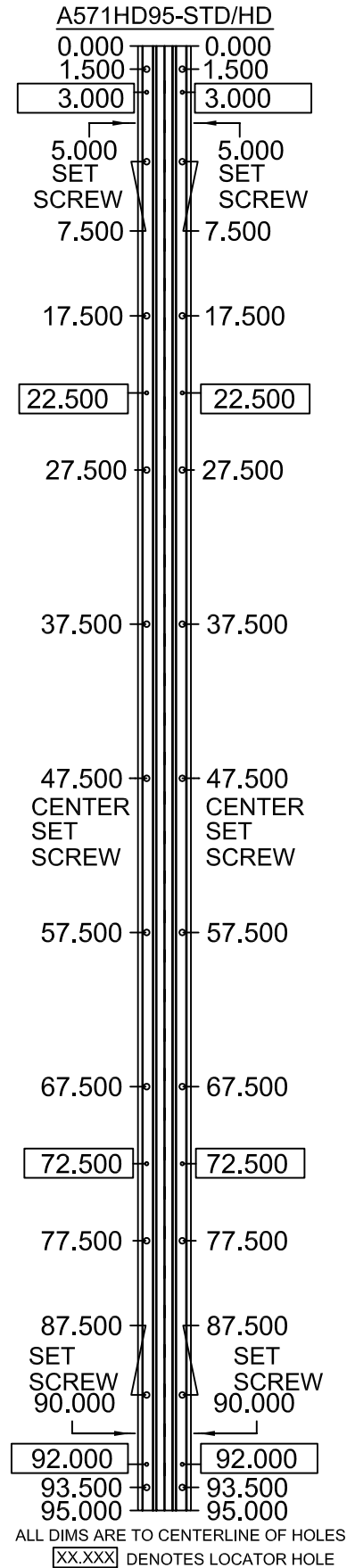


# 95" LONG



SCREW DETAIL			
		QTY.	DESCRIPTION
FRAME TO DOOR	FRAME	15	12-24 X 11/16" PH. PAN HEAD SELF DRILLING THREAD FORMING TEK SCREW
	DOOR	11	1/4-20 X 1-9/16L. X 3/8 DIA. SEX-BOLT & 1/4-20 X 1" PH. HEAD SHOULDER SCREW
		4	12-24 X 11/16 PH.PN. HD. SELF DRILLING TEK SCW. (LOCATOR HOLE)
DOOR TO DOOR	DOOR #1	11	1/4-20 X 1-9/16L. X 3/8 DIA. SEX-BOLT & 1/4-20 X 1" PH. HEAD SHOULDER SCREW
		4	12-24 X 11/16 PH.PN. HD. SELF DRILLING TEK SCW. (LOCATOR HOLE)
	DOOR #2	11	1/4-20 X 1-9/16L. X 3/8 DIA. SEX-BOLT & 1/4-20 X 1" PH. HEAD SHOULDER SCREW
		4	12-24 X 11/16 PH.PN. HD. SELF DRILLING TEK SCW. (LOCATOR HOLE)



[www.abhmf.com](http://www.abhmf.com)  
 E-mail: [abhinfo@abhmf.com](mailto:abhinfo@abhmf.com)  
 Architectural Builders Hardware Mfg., Inc.  
 1222 Ardmore Ave., Itasca, IL 60143  
 630.875.9900; FAX 800.9FAXABH (932.9224)

© 2006 ABH Mfg., Inc. printed in USA

A571HD-95-01.DWG

## A571HD95

REVISED 10-19-06