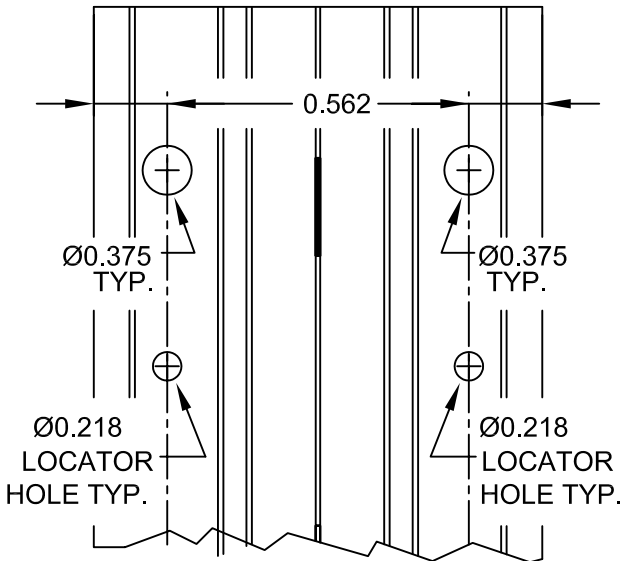
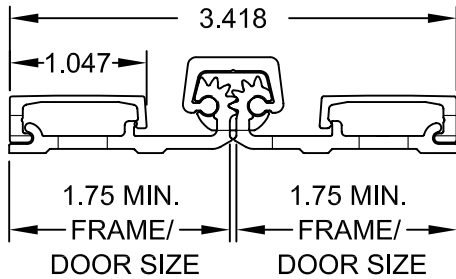
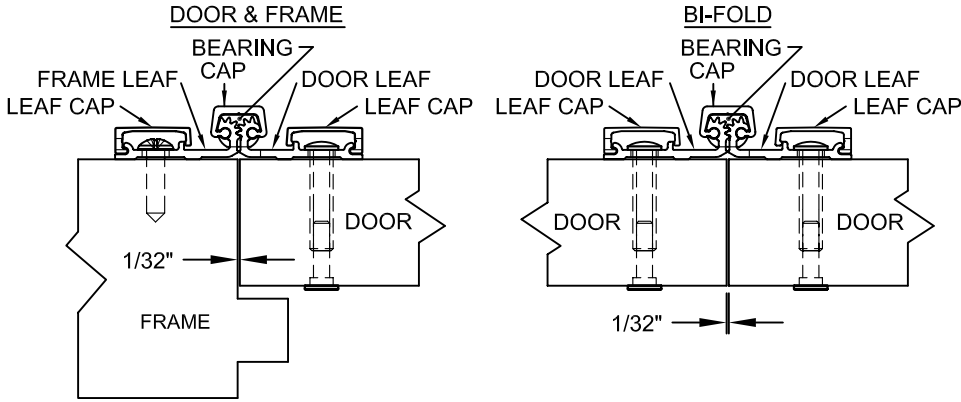
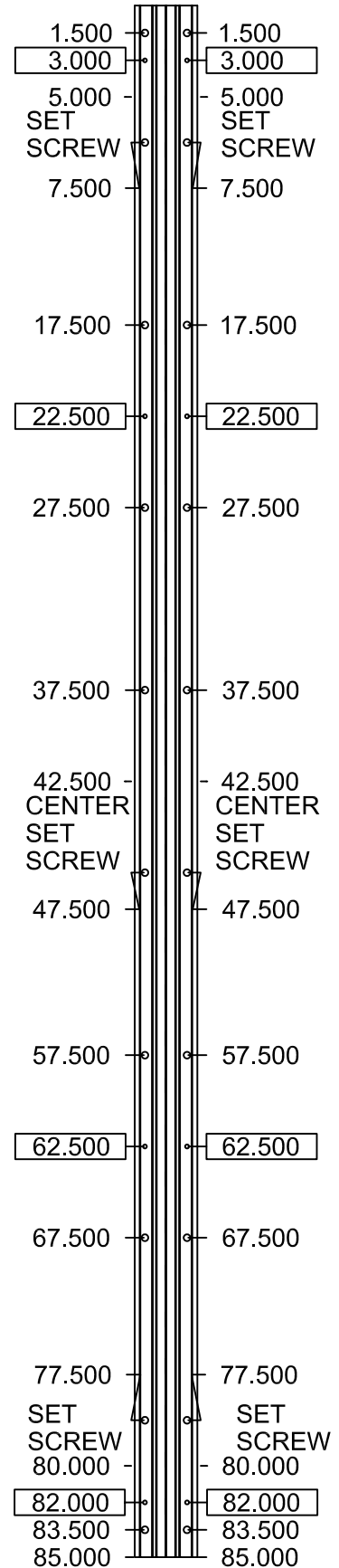


85" LONG

A571HD85-STD/HD



SCREW DETAIL			
		QTY.	DESCRIPTION
FRAME TO DOOR	FRAME	14	12-24 X 11/16" PH. PAN HEAD SELF DRILLING THREAD FORMING TEK SCREW
	DOOR	10	1/4-20 X 1-9/16L. X 3/8 DIA. SEX-BOLT & 1/4-20 X 1" PH. HEAD SHOULDER SCREW
		4	12-24 X 11/16 PH.PN. HD. SELF DRILLING TEK SCW. (LOCATOR HOLE)
DOOR TO DOOR	DOOR #1	10	1/4-20 X 1-9/16L. X 3/8 DIA. SEX-BOLT & 1/4-20 X 1" PH. HEAD SHOULDER SCREW
		4	12-24 X 11/16 PH.PN. HD. SELF DRILLING TEK SCW. (LOCATOR HOLE)
	DOOR #2	10	1/4-20 X 1-9/16L. X 3/8 DIA. SEX-BOLT & 1/4-20 X 1" PH. HEAD SHOULDER SCREW
		4	12-24 X 11/16 PH.PN. HD. SELF DRILLING TEK SCW. (LOCATOR HOLE)



ALL DIMS ARE TO CENTERLINE OF HOLES
 [XX.XXX] DENOTES LOCATOR HOLE



® www.abhmf.com
 E-mail: abhinfo@abhmf.com
 Architectural Builders Hardware Mfg., Inc.
 1222 Ardmore Ave., Itasca, IL 60143
 630.875.9900; FAX 800.9FAXABH (932.9224)

A571HD-85-01.DWG

© 2006 ABH Mfg., Inc.
 printed in USA

A571HD85

REVISED 10-19-06