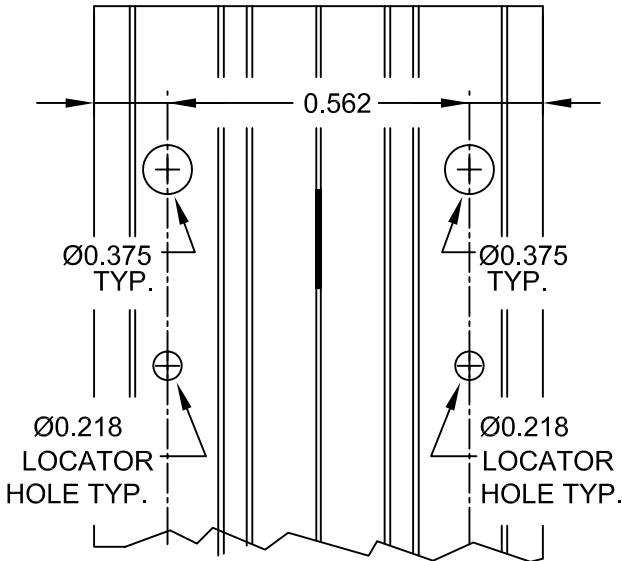
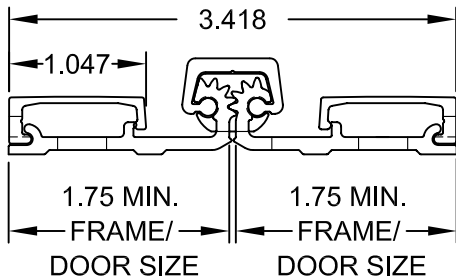
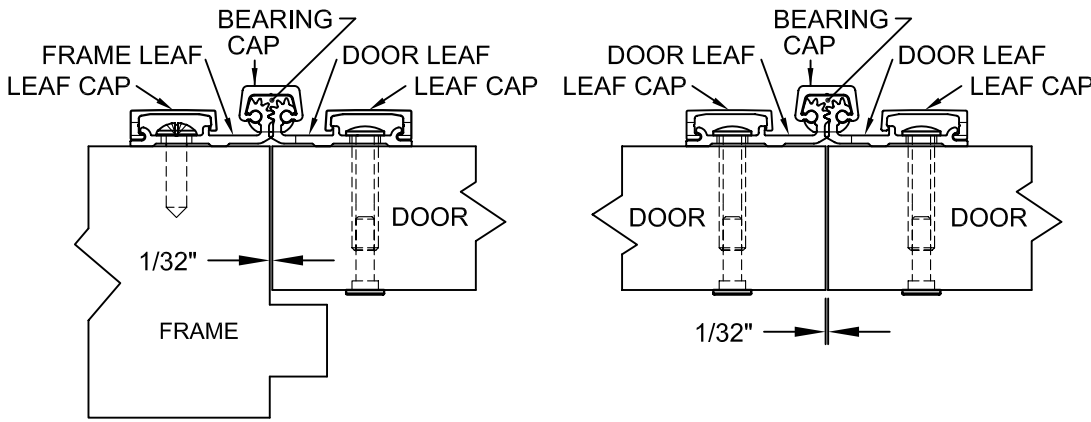


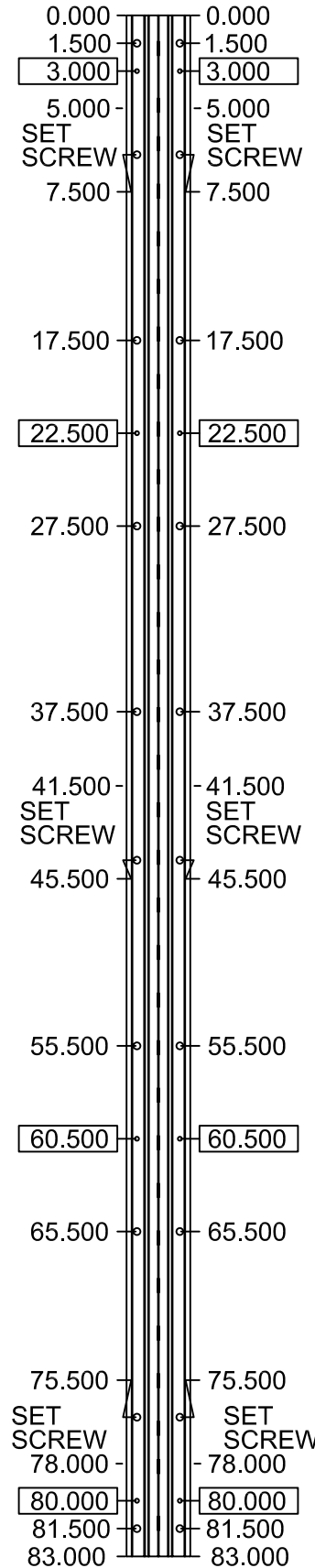
# 83" LONG

## DOOR & FRAME



		SCREW DETAIL	
		QTY.	DESCRIPTION
FRAME TO DOOR	FRAME	14	12-24 X 11/16" PH. PAN HEAD SELF DRILLING THREAD FORMING TEK SCREW
		10	1/4-20 X 1-9/16L. X 3/8 DIA. SEX-BOLT & 1/4-20 X 1" PH. HEAD SHOULDER SCREW
		4	12-24 X 11/16 PH.PN. HD. SELF DRILLING TEK SCW. (LOCATOR HOLE)
DOOR TO DOOR	DOOR #1	10	1/4-20 X 1-9/16L. X 3/8 DIA. SEX-BOLT & 1/4-20 X 1" PH. HEAD SHOULDER SCREW
		4	12-24 X 11/16 PH.PN. HD. SELF DRILLING TEK SCW. (LOCATOR HOLE)
	DOOR #2	10	1/4-20 X 1-9/16L. X 3/8 DIA. SEX-BOLT & 1/4-20 X 1" PH. HEAD SHOULDER SCREW
		4	12-24 X 11/16 PH.PN. HD. SELF DRILLING TEK SCW. (LOCATOR HOLE)

## A571HD83-STD/HD



ALL DIMS ARE TO CENTERLINE OF HOLES  
 [XX.XXX] DENOTES LOCATOR HOLE



® www.abhmf.com  
 E-mail: abhinfo@abhmf.com  
 Architectural Builders Hardware Mfg., Inc.  
 1222 Ardmore Ave., Itasca, IL 60143  
 630.875.9900; FAX 800.9FAXABH (932.9224)

A571HD-83-02.DWG

© 2006 ABH Mfg., Inc.  
 printed in USA

# A571HD83

REVISED 10-19-06