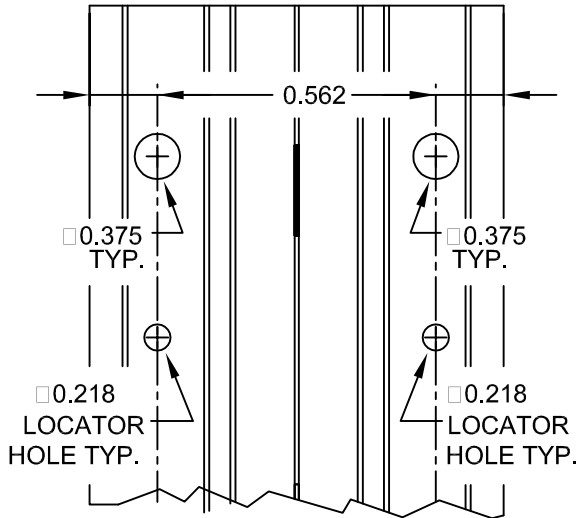
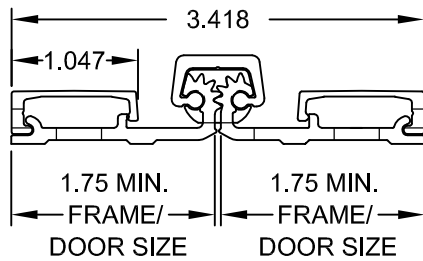
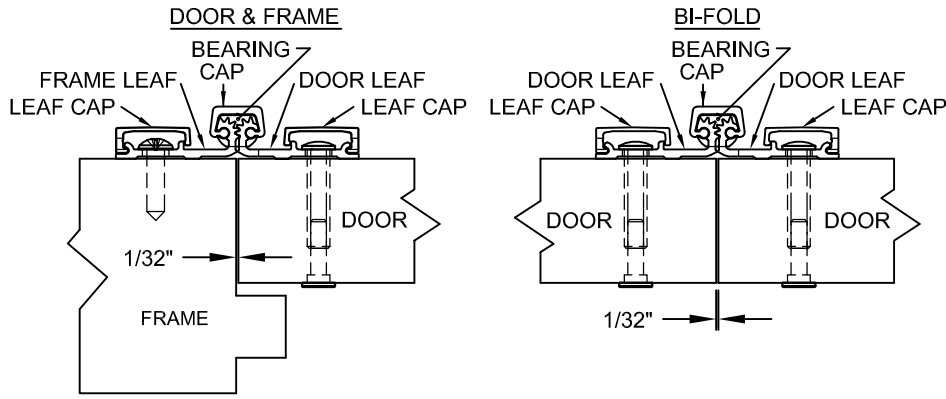
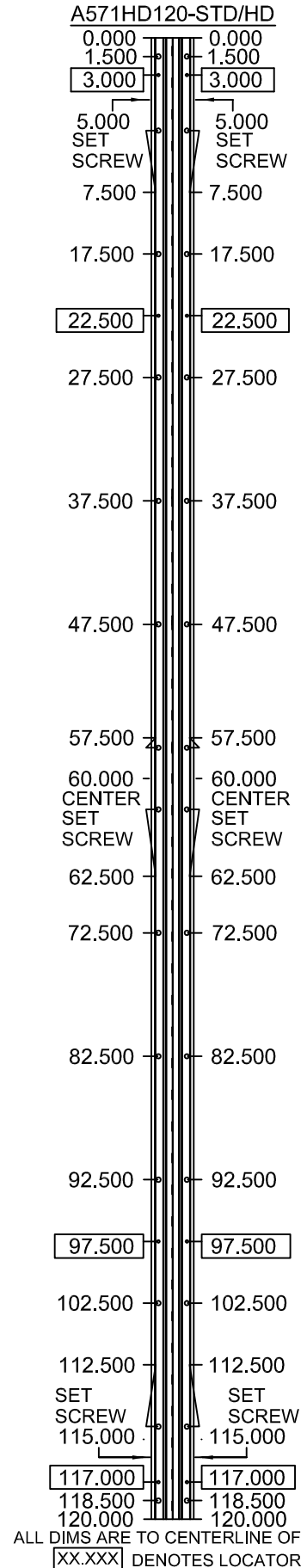


120" LONG



SCREW DETAIL			QTY.	DESCRIPTION
FRAME TO DOOR	FRAME	18	12-24 X 7/8" PH. PAN HEAD SELF DRILLING THREAD FORMING TEK SCREW	
		14	1/4-20 X 1-9/16L. X 3/8 DIA. SEX-BOLT & 1/4-20 X 1" PH. HEAD SHOULDER SCREW	
		4	12-24 X 7/8" PH.PN. HD. SELF DRILLING TEK SCW. (LOCATOR HOLE)	
DOOR TO DOOR	DOOR #1	14	1/4-20 X 1-9/16L. X 3/8 DIA. SEX-BOLT & 1/4-20 X 1" PH. HEAD SHOULDER SCREW	
		4	12-24 X 7/8" PH.PN. HD. SELF DRILLING TEK SCW. (LOCATOR HOLE)	
	DOOR #2	14	1/4-20 X 1-9/16L. X 3/8 DIA. SEX-BOLT & 1/4-20 X 1" PH. HEAD SHOULDER SCREW	
		4	12-24 X 7/8" PH.PN. HD. SELF DRILLING TEK SCW. (LOCATOR HOLE)	



A571HD-120-02.DWG

A571HD120

REVISED 02-01-11