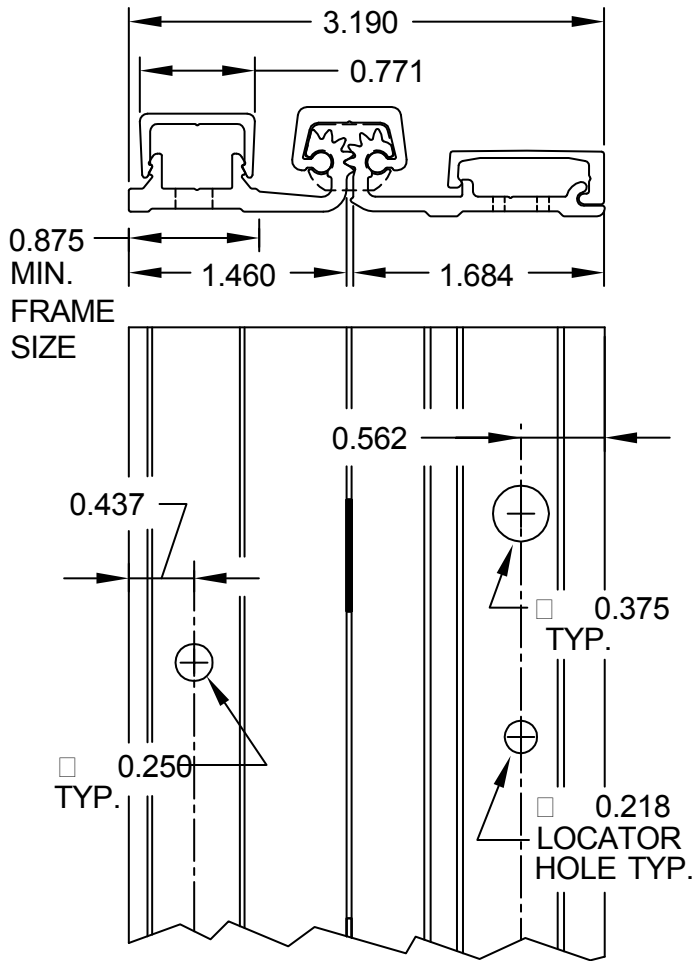
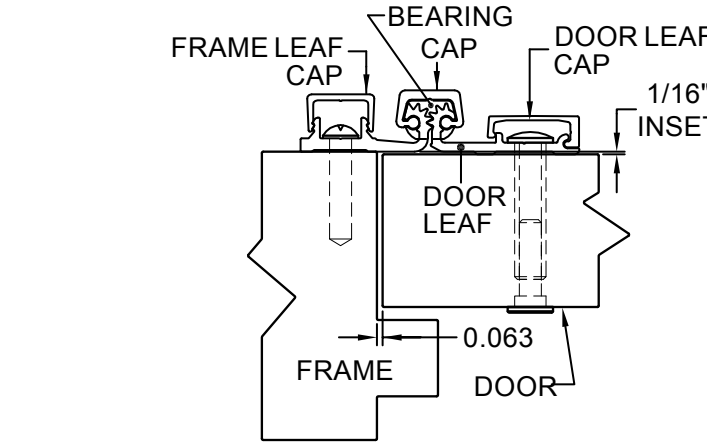
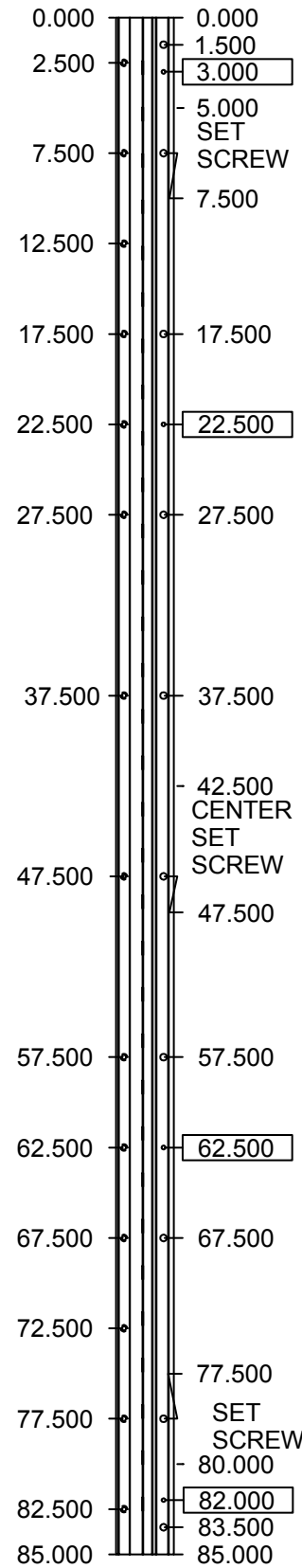


85" LONG



SCREW DETAIL		
	QTY.	DESCRIPTION
FRAME	14	1/4-20 X 3/4" PH. PAN HEAD SELF DRILLING THREAD FORMING TEK SCREW
DOOR	10	1/4-20 X 1-9/16L. X 3/8 DIA. SEX-BOLT & 1/4-20 X 1" PH. HEAD SHOULDER SCREW
	4	12-24 X 11/16" PH.PN. HD. SELF DRILLING TEK SCW. (LOCATOR HOLE)

A570HD85-STD/HD



ALL DIMS ARE TO CENTERLINE OF HOLES
 [XX XX] REMOTES LOCATOR HOLE

A570HD-85-02.DWG



www.abhmfg.com
 E-mail: abhinfo@abhmfg.com
 Architectural Builders Hardware Mfg., Inc.
 1222 Ardmore Ave., Itasca, IL 60143
 630.875.9900; FAX 800.9FAXABH(932.9224)

©2010 ABH Mfg., Inc.
 printed in USA

A570HD85

REVISED 01-06-10