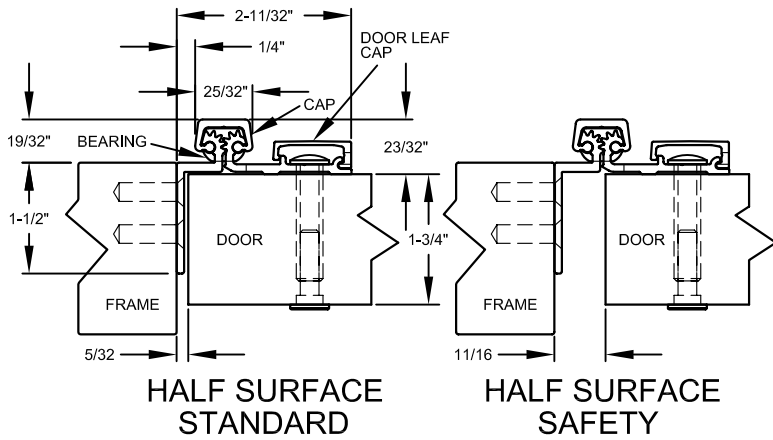
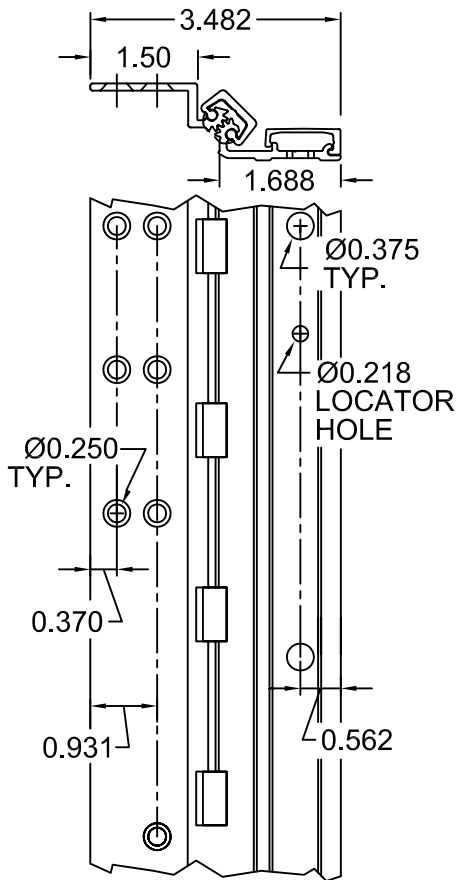


95" LONG



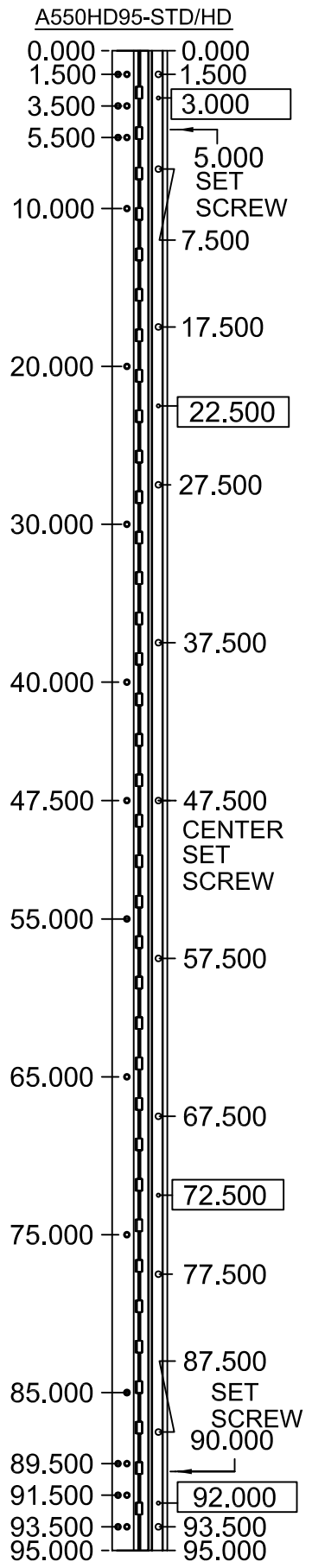
HALF SURFACE STANDARD

HALF SURFACE SAFETY



(STD/HD)
ALL DIMS ARE TYPICAL

SCREW DETAIL		
	QTY.	DESCRIPTION
FRAME	21	12-24 X 11/16" PH. F.H. UNDERCUT SELF DRILLING THREAD FORMING TEK SCREW
DOOR	11	1/4-20 X 1-9/16L. X 3/8 DIA. SEX-BOLT & 1/4-20 X 1" PH. HEAD SHOULDER SCREW
	4	12-24 X 11/16 PH.PN. HD. SELF DRILLING TEK SCW. (LOCATOR HOLE)



ALL DIMS ARE TO CENTERLINE OF HOLES
[XX.XXX] DENOTES LOCATOR HOLE



www.abhmf.com
E-mail: abhinfo@abhmf.com
Architectural Builders Hardware Mfg., Inc.
1222 Ardmore Ave., Itasca, IL 60143
630.875.9900; FAX 800.9FAXABH (932.9224)

© 2006 ABH Mfg., Inc.
printed in USA

A550HD-95-02.DWG

A550HD95

REVISED 10-19-06