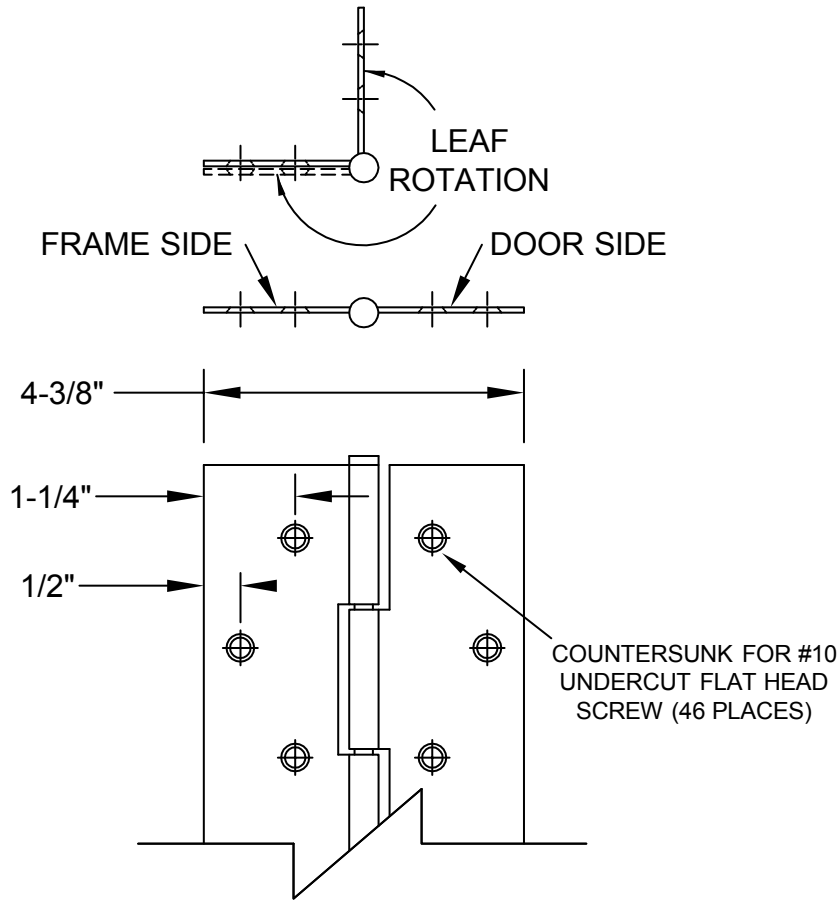


HINGE MODEL: A500 - FULL CONCEALED

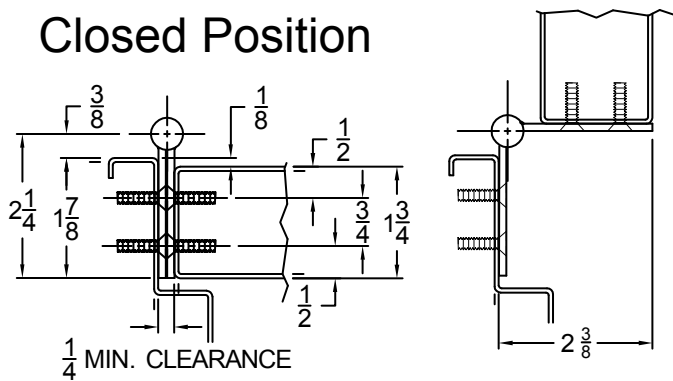
STANDARD HINGE LENGTH CONVERSION CHART
A 95.00" ACTUAL LENGTH = AN 8'0" DOOR OPENING

SCREW DETAIL	
QTY.	DESCRIPTION
46	10-24x7/8" PHILLIPS FLAT HEAD UNDERCUT SELF-DRILLING MACHINE SCREW
46	#10x1.250" PHILLIPS FLAT HEAD UNDERCUT SHEET METAL SCREW

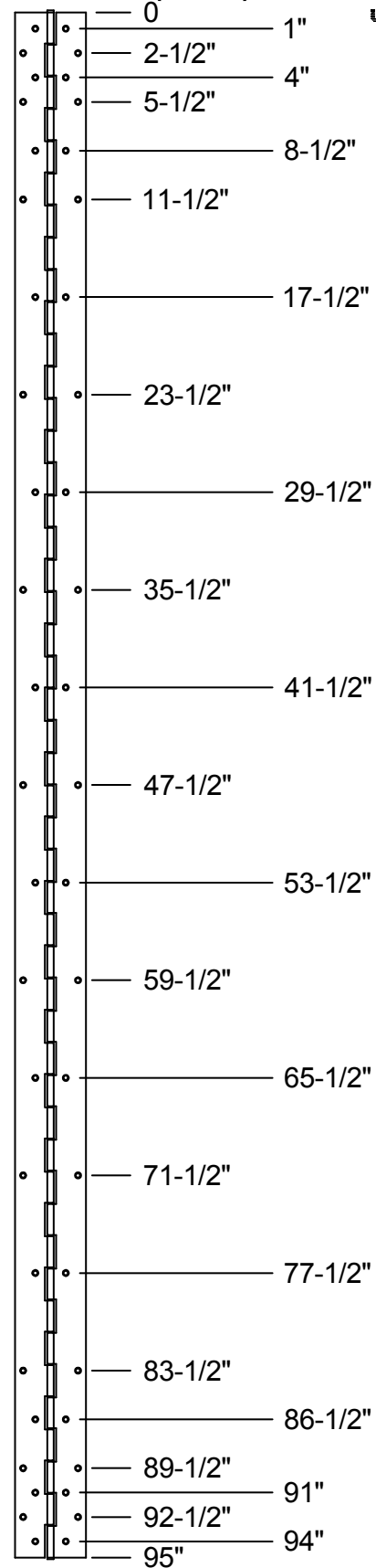


90° Open Position

Closed Position



95.000 (8'0")



® www.abhmfg.com
E-mail: abhinfo@abhmfg.com
Architectural Builders Hardware Mfg., Inc.
1222 Ardmore Ave., Itasca, IL 60143
630.875.9900; FAX 800.9FAXABH (932.9224)

© 2010 ABH Mfg., Inc.
printed in USA

A500-95.000

REVISED 03-29-10

A500-95.000-04.DWG