

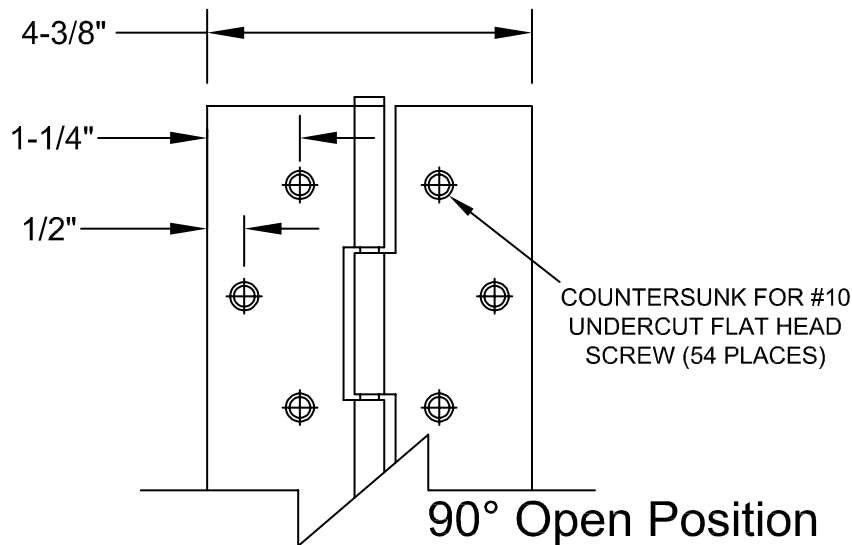
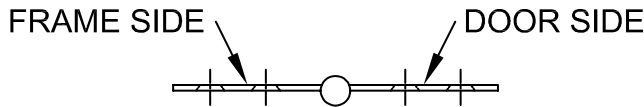
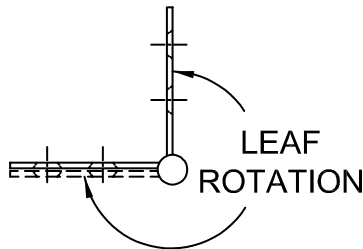
# HINGE MODEL: A500 - FULL CONCEALED

STANDARD HINGE LENGTH CONVERSION CHART  
A 118.75" ACTUAL LENGTH = AN 10'0" DOOR OPENING

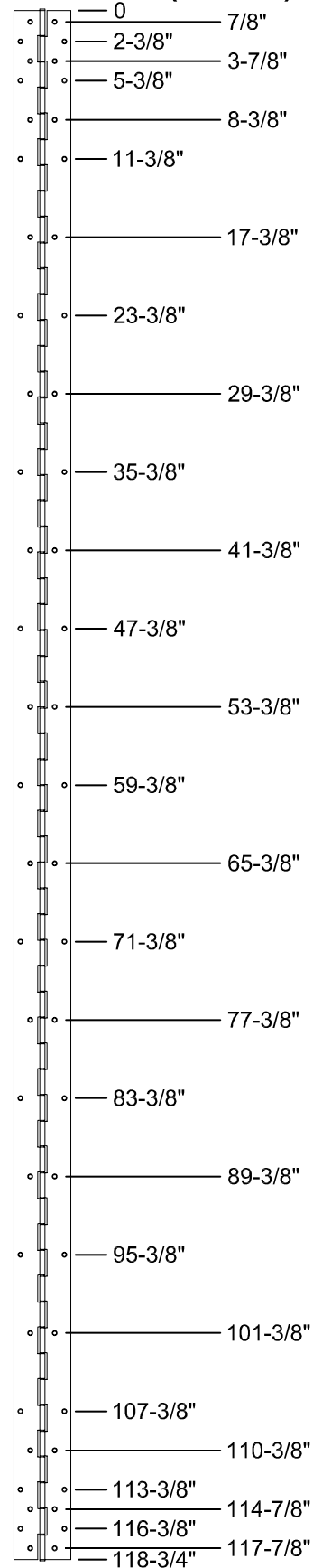
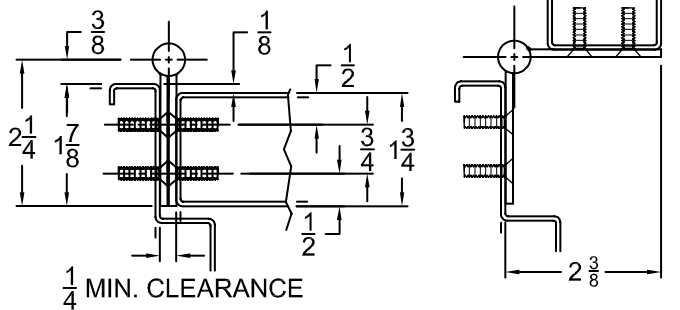
118.750 (10'0")



SCREW DETAIL	
QTY.	DESCRIPTION
54	10-24x7/8" PHILLIPS FLAT HEAD UNDERCUT SELF-DRILLING MACHINE SCREW
54	#10x1.250" PHILLIPS FLAT HEAD UNDERCUT SHEET METAL SCREW



Closed Position



www.abhmfg.com  
E-mail: abhinfo@abhmfg.com  
Architectural Builders Hardware Mfg., Inc.  
1222 Ardmore Ave., Itasca, IL 60143  
630.875.9900; FAX 800.9FAXABH (932.9224)

© 2006 ABH Mfg., Inc.  
printed in USA

A500-118.750

REVISED 12-21-07

A500-118.750-04.DWG