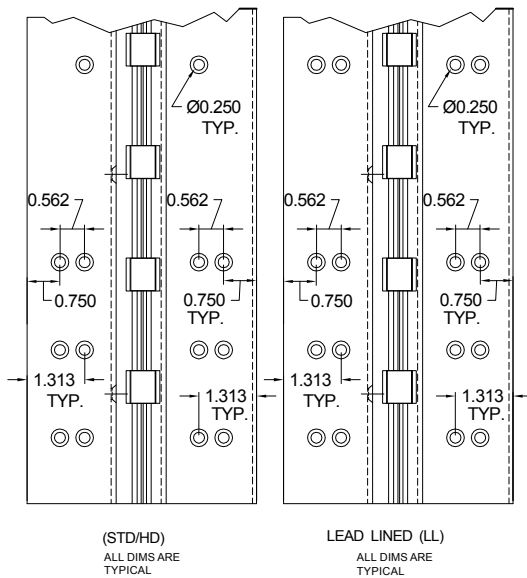
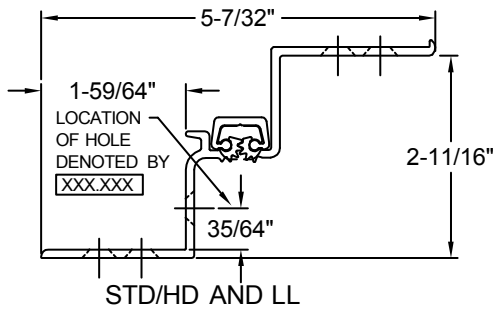
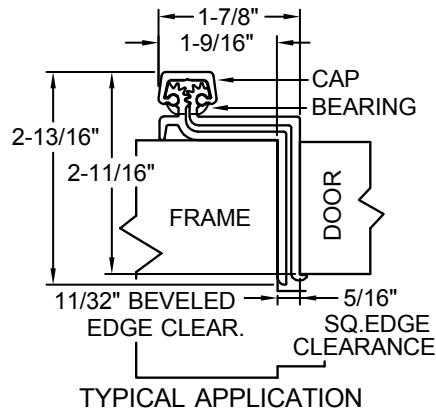
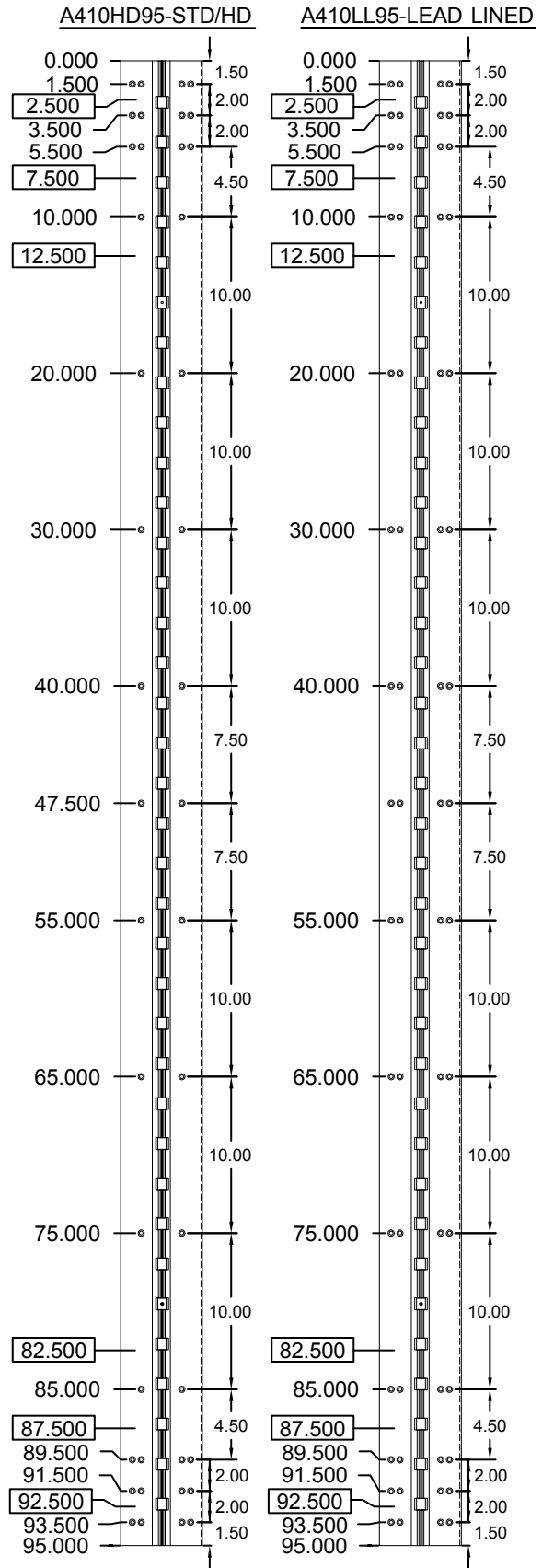


A410HD/A410LL

95" LONG



| SCREW DETAIL | | | |
|--------------|-------------|---------|---|
| | MODEL | | DESCRIPTION |
| | STD/HD QTY. | LL QTY. | |
| FRAME | 27 | 36 | 12-24 X 11/16" PH. F.H. UNDERCUT SELF DRILLING THREAD FORMING TEK SCREW |
| DOOR | 21 | 30 | 12-24 X 11/16" PH. F.H. UNDERCUT SELF DRILLING THREAD FORMING TEK SCREW |



ALL DIMS ARE TO CENTERLINE OF HOLES
 [XY YYY] DENOTES FRAME HOLE MTC



® www.abhmfg.com
 E-mail: abhinfo@abhmfg.com
 Architectural Builders Hardware Mfg., Inc.
 1222 Ardmore Ave., Itasca, IL 60143
 630.875.9900; FAX 800.9FAXABH(932.9224)

A410-95-02.DWG

A410-95
 REVISED 01-14-10

© 2010 ABH Mfg., Inc.
 printed in USA