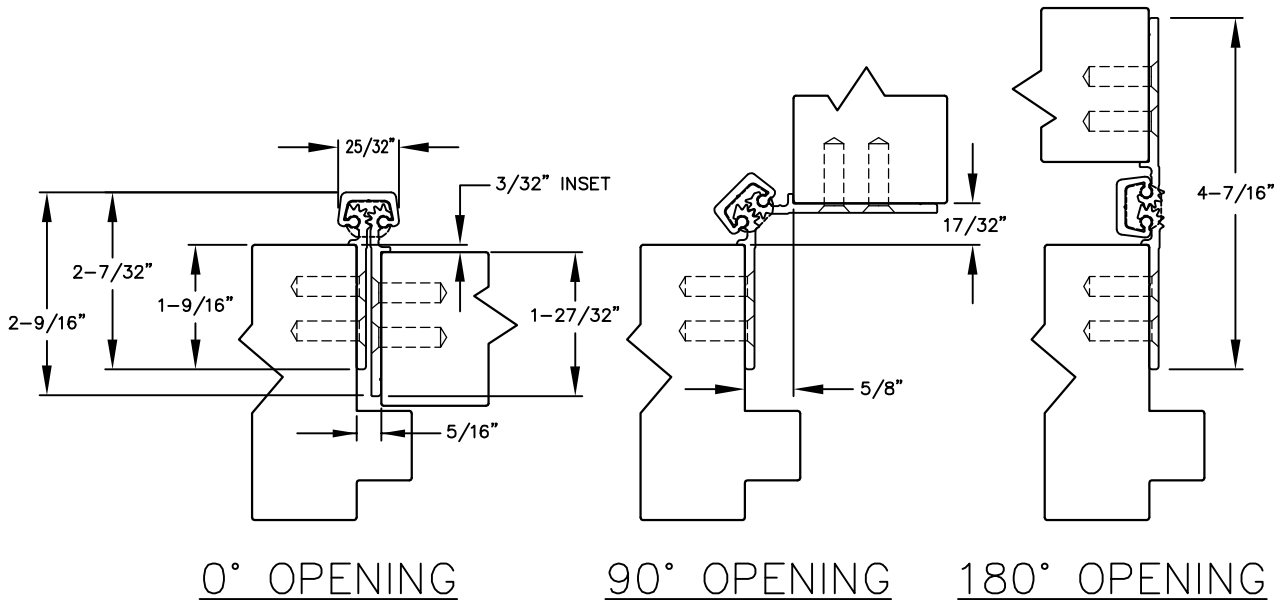


A260HD/A260LL SERIES

STANDARD/HEAVY DUTY
FOR 2" DOORS, NARROW FRAME LEAF, 3/32" INSET

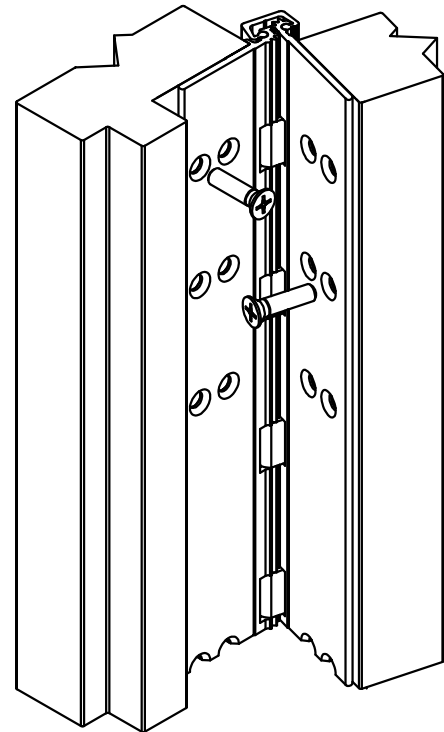


0° OPENING

90° OPENING

180° OPENING

- >> MATERIAL: EXTRUDED 6063-T6 ALUMINUM ALLOY WITH POLYACETAL THRUST BEARINGS
- >> COLOR: 30 MINUTE CLEAR ANODIZED AND 2-STEP DARK BRONZE ANODIZED
- >> CUSTOM HOLE LOCATIONS: HOLE SIZES & LOCATIONS PER CUSTOMER SPECIFICATIONS.
- >> DOOR TYPE: FOR 2" DOORS, STANDARD & HEAVY DUTY UP TO 450 LBS.
- >> DOOR REINFORCEMENT: NONE REQUIRED.
- >> FRAME REINFORCEMENT: OVER 200 LBS. REINFORCE WITH 16 GA. CHANNEL.
- >> SPECIAL FEATURES: FOR USE ON FLUSH ALUMINUM, GLASS RAIL, HOLLOW METAL OR WOOD DOORS.
- >> HINGE KING: TEMPLATED AND HOLE PATTERN IS THE SAME FORM HINGE TO HINGE.
- >> HANDING: HINGE IS NON-HANDED UNLESS CUT IN THE FIELD.
- >> FIRE RATING: UL LISTED FOR 90 MINUTE RATED DOORS. UL LISTED FOR UP TO 3 HOUR RATED DOORS WITH USE OF A STEEL STUD.
- >> SCREW DETAIL: 12-24 X 7/8" PH. F.H. UNDERCUT SELF DRILLING THREAD FORMING TEK SCREW



ABH MODEL NUMBER	LENGTH		SCREW COUNT	
	INCHES	CENTIMETERS	# FOR DOOR	# FOR JAMB
A260HD83 (STD/HD)	83	210.8	25	25
A260HD85 (STD/HD)	85	215.9	25	25
A260HD95 (STD/HD)	95	241.3	29	29
A260HD120 (STD/HD)	120	304.8	33	33
A260LL83 (LEAD LINED)	83	210.8	38	38
A260LL85 (LEAD LINED)	85	215.9	38	38
A260LL95 (LEAD LINED)	95	241.3	46	46
A260LL120 (LEAD LINED)	120	304.8	54	54



® www.abhmfg.com
E-mail: abhinfo@abhmfg.com
Architectural Builders Hardware Mfg., Inc.
1222 Ardmore Ave., Itasca, IL 60143
630.875.9900; FAX 800.9FAXABH (932.9224)

A260-01.DWG

© 2010 ABH Mfg., Inc.
printed in USA

A260

REVISED 10-28-10