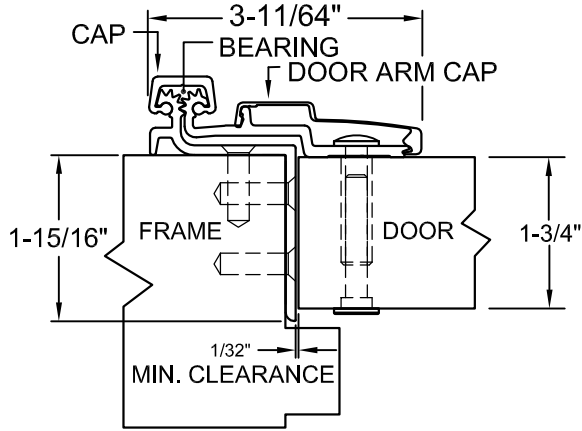
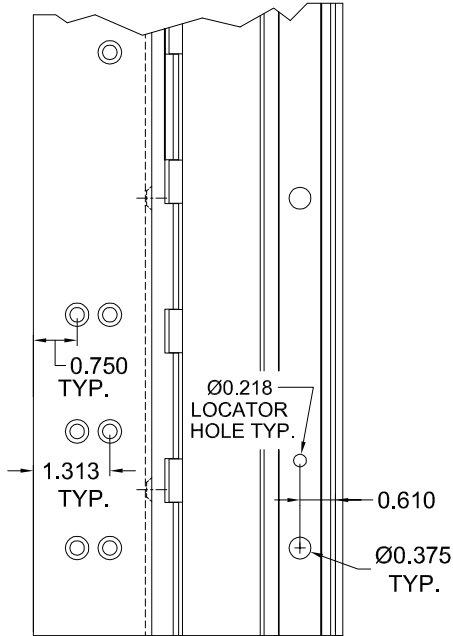
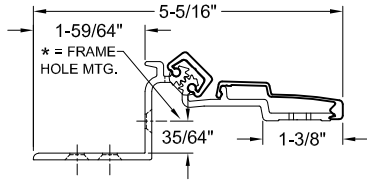


A211HD 95" LONG



TYPICAL APPLICATION

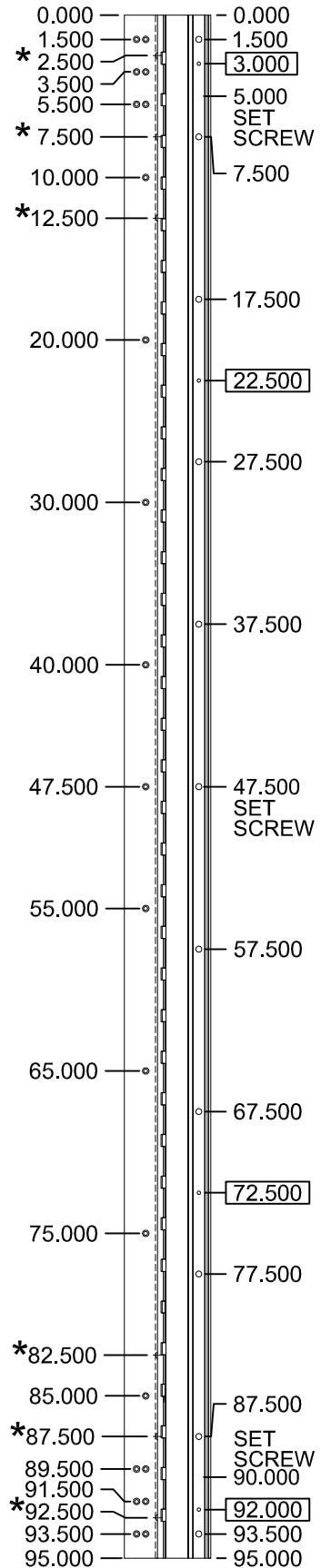


(STD/HD)

ALL DIMS ARE TYPICAL

SCREW DETAIL		
	QTY.	DESCRIPTION
FRAME	27	12-24 X 7/8" PH. F.H. UNDERCUT SELF DRILLING THREAD FORMING TEK SCREW
DOOR	11	1/4-20 X 1-9/16L. X 3/8 DIA. SEX-BOLT & 1/4-20 X 1" PH. HEAD SHOULDER SCREW
	4	12-24 X 11/16 PH.PN. HD. SELF DRILLING TEK SCW. (LOCATOR HOLE)

A211HD95-STD/HD



ALL DIMS ARE TO CENTERLINE OF HOLES

XX.XXX DENOTES LOCATOR

* = FRAME HOLE MTG.

A211HD-95-03.DWG

A211HD95

REVISED 10-28-10