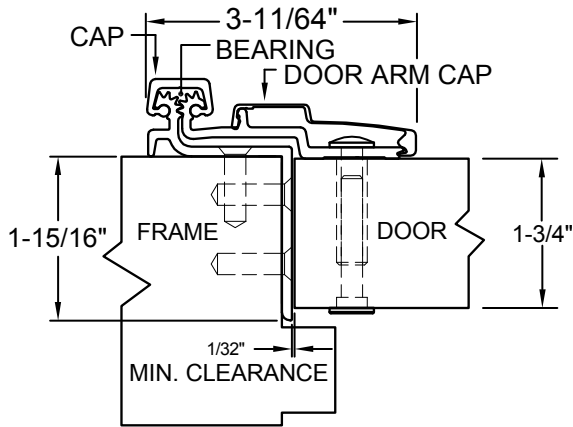
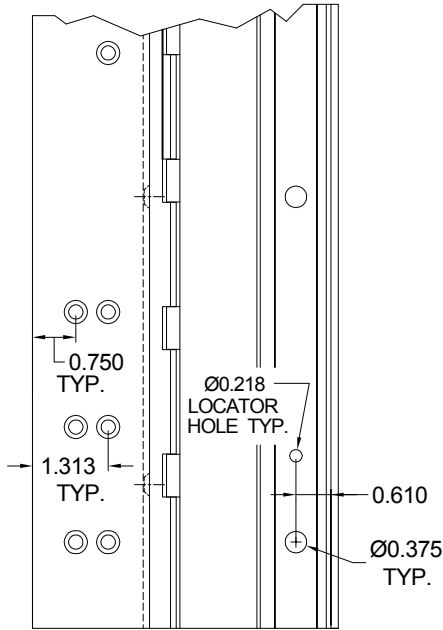
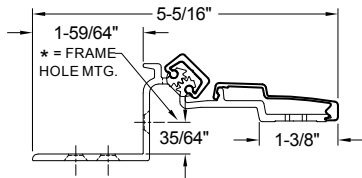


A211HD 95" LONG



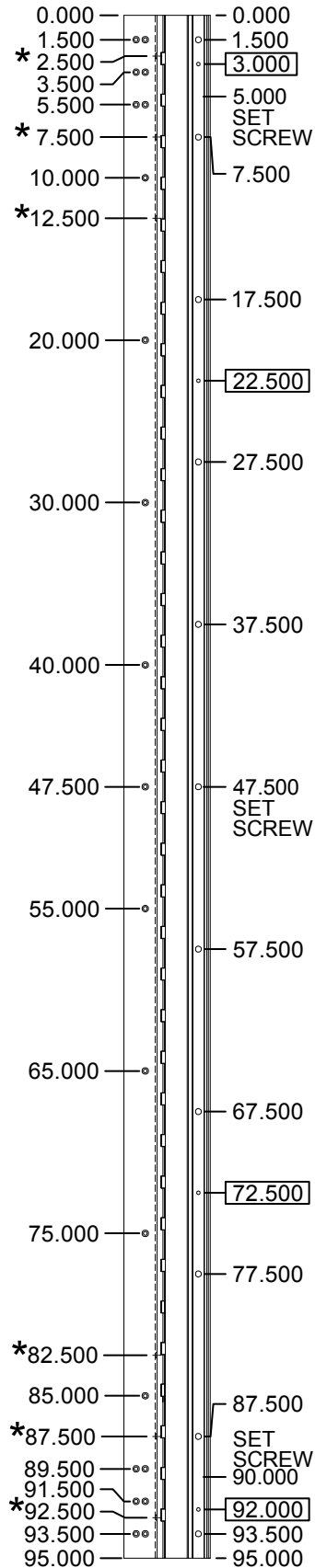
TYPICAL APPLICATION



(STD/HD)

SCREW DETAIL		
	QTY.	DESCRIPTION
FRAME	27	12-24 X 11/16" PH. F.H. UNDERCUT SELF DRILLING THREAD FORMING TEK SCREW
DOOR	11	1/4-20 X 1-9/16L. X 3/8 DIA. SEX-BOLT & 1/4-20 X 1" PH. HEAD SHOULDER SCREW
	4	12-24 X 11/16 PH. PN. HD. SELF DRILLING TEK SCW. (LOCATOR HOLE)

A211HD95-STD/HD



ALL DIMS ARE TO CENTERLINE OF HOLES
XX.XXX DENOTES LOCATOR



® www.abhmfg.com

E-mail: abhinfo@abhmfg.com
 Architectural Builders Hardware Mfg., Inc.
 1222 Ardmore Ave., Itasca, IL 60143
 630.875.9900; FAX 800.9FAXABH (932.9224)

© 2010 ABH Mfg., Inc.
 printed in USA

A211HD-95-02.DWG

A211HD95

REVISED 02-10-10